

Product Document



Datasheet

DS000507

AS3418

Low Noise ANC Solution

v4-00 • 2020-Jan-23

Content Guide

1	General Description..... 3	6.8	Operation Modes 33
1.1	Key Benefits & Features 3	6.9	V _{NEG} Charge Pump 38
1.2	Applications 4	6.10	EEPROM..... 39
1.3	Block Diagram 4	6.11	Production Trimming Interface..... 41
2	Ordering Information..... 5	6.12	I ² C Interface 42
3	Pin Assignment 6	7	Register Description 47
3.1	Pin Diagram..... 6	7.1	Register Overview..... 47
3.2	Pin Description 6	7.2	Detailed Register Description 49
4	Absolute Maximum Ratings..... 9	8	Application Information 70
5	Electrical Characteristics 10	8.1	Schematic 70
6	Functional Description..... 12	8.2	External Components 72
6.1	Audio Line Input 12	9	Package Drawings & Markings... 74
6.2	Microphone Inputs..... 13	10	Revision Information..... 76
6.3	Microphone Supply 19	11	Legal Information 77
6.4	Headphone Amplifier..... 21		
6.5	Music Bypass Switch 25		
6.6	Operational Amplifier..... 28		
6.7	System 30		

1 General Description

The AS3418 speaker driver with Ambient Noise Cancelling function for headsets, headphones or ear pieces. They are intended to improve quality of e.g. music listening, a phone conversation etc. by reducing background ambient noise.

The fully analog implementation allows the lowest power consumption, lowest system BOM cost and most natural received voice enhancement otherwise difficult to achieve with DSP implementations. The device is designed to be easily applied to existing architectures.

An internal EEPROM can be optionally used to store the microphones gain calibration settings. The AS3418 can be used in different configurations for best trade-off of noise cancellation, required filtering functions and mechanical designs.

The AS3418 targeting feed-forward topology is used to effectively reduce frequencies typically up to 2-3 kHz. The typical bandwidth for a feed-forward system is from 20Hz up to 3 kHz which is lower than the feed-forward systems.

The filter loop for the system is determined by measurements, for each specific headset individually, and depends very much on mechanical designs. The gain and phase compensation filter network is implemented with cheap resistors and capacitors for lowest system costs.

1.1 Key Benefits & Features

The benefits and features of AS3418, Low Noise ANC Solution, are listed below:

Figure 1:
Added Value of Using AS3418

Benefits	Features
Low Noise Floor	Low Noise Amplifiers
Integrated Music Bypass Switch	Depletion mode transistors for passive music bypass
Smallest ANC form factor	WL-CSP package 2.645mm x 2.545mm; 0.4mm pitch
Reprogrammable ANC settings	EEPROM Memory for system settings

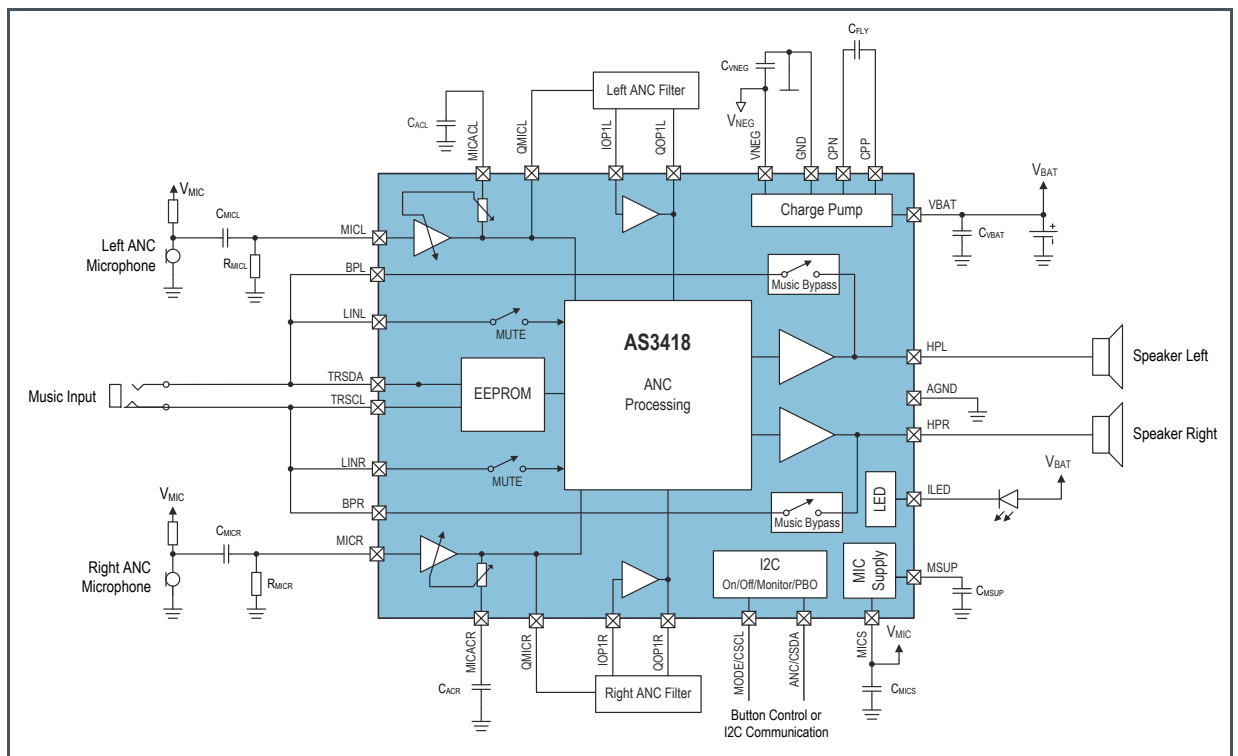
1.2 Applications

- Ear Pieces
- Headsets
- Hands-Free Kits
- Mobile Phones
- Voice Communicating Devices

1.3 Block Diagram

The functional blocks of this device are shown below:

Figure 2 :
Functional Blocks of AS3418



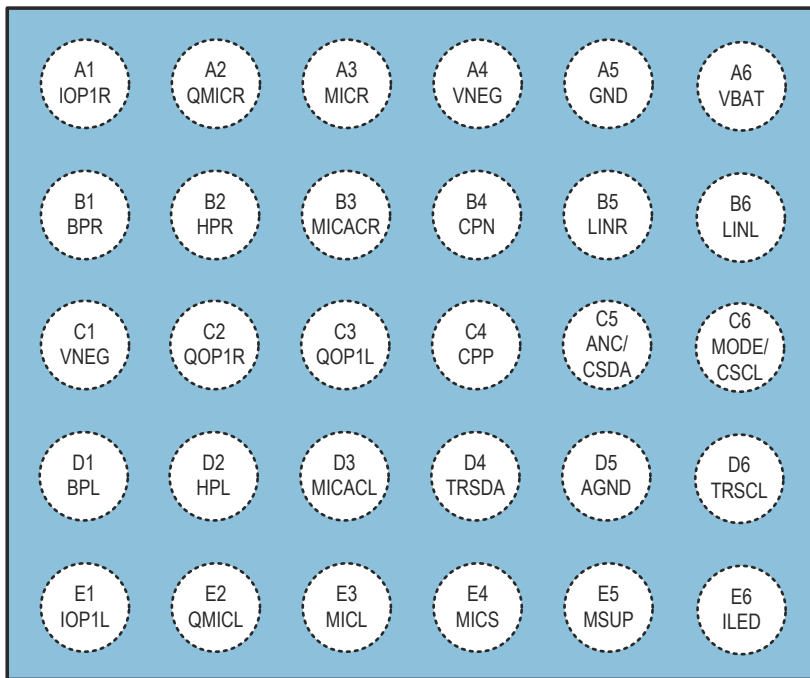
2 Ordering Information

Ordering Code	Package	Marking	Delivery Form	Delivery Quantity
AS3418-EWLT	WL-CSP	AS3418	Tape & Reel	6500 pcs/reel
AS3418-EWLM	WL-CSP	AS3418	Tape & Reel	500 pcs/reel

3 Pin Assignment

3.1 Pin Diagram

Figure 3 :
Pin Assignment AS3418



3.2 Pin Description

Figure 4:
Pin Description of AS3418

Pin Number	Pin Name	Pin Type ⁽¹⁾	Description
A1	IOP1R	ANA IN	ANC filter OPAMP1 input - right channel.
A2	QMICR	ANA OUT	ANC microphone preamplifier output - right channel.
A3	MICR	ANA IN	ANC microphone preamplifier input - right channel.
A4	VNEG	SUP OUT	V _{NEG} charge pump output terminal. This output provides the negative amplifier supply voltage for all OPAMPs and the headphone amplifier.

Pin Number	Pin Name	Pin Type ⁽¹⁾	Description
A5	GND	ANA IN	V _{NEG} charge pump ground terminal.
A6	VBAT	SUP IN	Positive supply terminal of AS3418.
B1	BPR	ANA IN	Right audio bypass switch input. This pin features a music bypass function for the right audio channel in off mode operation in order to replace and external analog switch.
B2	HPR	ANA OUT	Headphone amplifier output - right channel.
B3	MICACR	ANA OUT	Microphone preamplifier AC coupling ground terminal. This pin requires a typ. 10μF capacitor connected to AGND pin.
B4	CPN	ANA OUT	V _{NEG} charge pump negative terminal for flying capacitor
B5	LINR	ANA IN	Line input - right channel.
B6	LINL	ANA IN	Line input - left channel.
C1	VNEG	SUP OUT	V _{NEG} charge pump output terminal. This output provides the negative amplifier supply voltage for all OPAMPs and the headphone amplifier.
C2	QOP1R	ANA OUT	ANC filter OPAMP1 output - right channel
C3	QOP1L	ANA OUT	ANC filter OPAMP1 output - left channel
C4	CPP	ANA OUT	V _{NEG} charge pump positive terminal for flying capacitor
C5	ANC/ CSDA	DIG IN/OUT	Serial interface data signal line for I ² C interface and alternatively ANC control to enable/disable ANC.
C6	MODE/ CSCL	DIG IN	Serial Interface clock signal line for I ² C interface and alternatively control pin for power up/down and Monitor mode.
D1	BPL	ANA IN	Left audio bypass switch input. This pin features a music bypass function for the left audio channel in off mode operation in order to replace and external analog switch.
D2	HPL	ANA OUT	Headphone amplifier output - left channel.
D3	MICACL	ANA OUT	Microphone preamplifier AC coupling ground terminal. This pin requires a typ. 10μF capacitor connected to AGND pin.
D4	TRSDA	ANA IN	Data input for production trimming. Can be connected to LINL pin to enable production trimming via 3.5mm audio jack.
D5	AGND	ANA IN	Analog reference ground. Do not connect this pin to power or digital ground plane.
D6	TRSCL	ANA IN	Clock input for production trimming. Can be connected to LINR pin to enable production trimming via 3.5mm audio jack.
E1	IOP1L	ANA IN	ANC filter OPAMP1 input - left channel

Pin Number	Pin Name	Pin Type ⁽¹⁾	Description
E2	QMICL	ANA OUT	ANC microphone preamplifier output - left channel
E3	MICL	ANA IN	ANC microphone preamplifier input - left channel
E4	MICS	SUP OUT	Microphone Supply output to source analog ECM via a bias resistor or MEMs microphones. This pin needs an output blocking capacitor with 4.7µF.
E5	MSUP	SUP IN/OUT	In default configuration a charge pump output that provides the power for the low noise microphone supply LDO. The internal charge pump can also be disabled the MSUP serves as a supply input terminal to source the low noise microphone supply LDO.
E6	ILED	ANA IN	Current sink input for on-indication LED. The Cathode of an LED can be directly connected to this terminal without the need of an external current limitation resistor.

- (1) Explanation of abbreviations:
- | | |
|------------|-----------------------------------|
| ANA IN | Analog Input |
| ANA OUT | Analog Output |
| DIG IN | Digital Input |
| SUP IN/OUT | Supply input or supply output pad |
| SUP IN | Supply input terminal |
| SUP OUT | Supply output terminal |

4 Absolute Maximum Ratings

Stresses beyond those listed under “Absolute Maximum Ratings” may cause permanent damage to the device. These are stress ratings only. Functional operation of the device at these or any other conditions beyond those indicated under “Operating Conditions” is not implied. Exposure to absolute maximum rating conditions for extended periods may affect device reliability.

Figure 5
Absolute Maximum Ratings of AS3418

Symbol	Parameter	Min	Max	Unit	Comments
Electrical Parameters					
V _{SUP_MAX}	Supply Voltage to Ground	-0.5	2	V	Applicable for pin VBAT
V _{GND_MAX}	Ground Terminals	-0.5	+0.5	V	Applicable for pin AGND and GND
V _{NEG_MAX}	Negative Terminals	-2.0	0.5	V	Applicable for pin VNEG
V _{CP_MAX}	Charge Pump Terminals	V _{NEG} - 0.5	V _{POS} + 0.5	V	Applicable for pins CPN and CPP
V _{HP_MAX}	Headphone Pins	V _{NEG} - 0.5	V _{POS} + 0.5	V	Applicable for pins HPR and HPL
V _{ANA_MAX}	Analog Pins	V _{NEG} - 0.5	V _{POS} + 0.5	V	Applicable for pins LINL, LINR, MICL/R, HPR, HPL, QMICL/R, IOP1x, QOP1x, CPP, CPN, TRSCL, BPR, TRSDA, BPL, MICACL and MICACR
V _{CON_MAX}	Control Pins	V _{NEG} - 0.5	5	V	Applicable for pins ANC/CSDA and MODE/CSCL
V _{OTHER_MAX}	Other Pins	V _{NEG} - 0.5	5	V	Applicable for pins MICS and MICFB
I _{SCR}	Input Current (latch-up immunity)		± 100	mA	Class II JEDEC JESD78D
Electrostatic Discharge					
ESD _{HBM}	Electrostatic Discharge HBM		± 2000	V	Norm: JS-001-2014
Temperature Ranges and Storage Conditions					
T _J	Operating Junction Temperature		85	°C	
T _{STRG}	Storage Temperature Range	- 55	125	°C	
T _{BODY}	Package Body Temperature		260	°C	IPC/JEDEC J-STD-020 ⁽¹⁾
RH _{NC}	Relative Humidity (non-condensing)	5	85	%	
MSL	Moisture Sensitivity Level		1		Unlimited floor lifetime

(1) The reflow peak soldering temperature (body temperature) is specified according to IPC/JEDEC J-STD-020 “Moisture/Reflow Sensitivity Classification for Nonhermetic Solid State Surface Mount Devices.” The lead finish for Pb-free leaded packages is “Matte Tin” (100% Sn)

5 Electrical Characteristics

$V_{BAT} = 1.4V$ to $1.8V$, $T_A = -20^{\circ}C$ to $85^{\circ}C$. Typical values are at $V_{BAT} = 1.6V$, $T_A = 25^{\circ}C$, unless otherwise specified. All limits are guaranteed. The parameters with Min and Max values are guaranteed with production tests or SQC (Statistical Quality Control) methods.

Figure 6:
Electrical Characteristics of AS3418

Symbol	Parameter	Conditions	Min	Typ	Max	Unit
T_A	Ambient Temperature Range		-20		85	$^{\circ}C$
Supply Voltages						
GND	Reference Ground		0		0	V
V_{BAT}	Battery Supply Voltage	Normal Operation	1.4	1.6	1.8	V
V_{NEG}	Charge Pump Voltage		-1.8		-1.2	V
V_{DELTA}	Difference of Ground Supplies GND, AGND	To achieve good performance, the negative supply terminals should be connected to a low impedance ground plane.	-0.1		0.1	V
Other Pins						
V_{MICS}	Microphone Supply Voltage	Applicable to MICS pin	0		3.6	V
V_{ANALOG}	Analog Pins	MICACL, MICACR, LINR, LINL, HPR, HPL, QMICL, QMICR, IOP1x, and QOP1x	V_{NEG}		V_{BAT}	V
$V_{CONTROL}$	Control Pins	Applicable to MODE/C_SCL and ANC/C_SDA pins	0		3.7	V
V_{CP}	Charge Pump Pins	Applicable to CPN and CPP pins	V_{NEG}		V_{BAT}	V
V_{TRIM}	Application Trim Pins	Applicable to TRSCL and TRSDA pins	$V_{NEG} - 0.3$ or -1.8		$V_{BAT} + 0.5$ or 1.8	V
V_{BYP}	Bypass Pins	Applicable to BPR and BPL pins	$V_{NEG} - 0.3$ or -1.8		$V_{BAT} + 0.5$ or 1.8	V
V_{MIC}	Microphone Inputs	Applicable to MICL and MICR pins.	V_{NEG}		V_{BAT}	V
Block Power Requirements						
I_{OFF}	Off mode current	MODE/C_SCL pin low, device switched off		1	5	μA
I_{SYS}	Reference supply current	$V_{BAT} = 1.8V$; Bias generation, oscillator, POR and V_{NEG}		1.45		mA
		$V_{BAT} = 1.4V$; Bias generation, oscillator, POR and V_{NEG}		1		mA
I_{MIC}	Microphone gain stage current	$V_{BAT} = 1.8V$; no signal, stereo, High quality mode		0.97		mA
		$V_{BAT} = 1.8V$; no signal, stereo, ECO mode		0.68		mA
		$V_{BAT} = 1.4V$; no signal, stereo, High quality mode		0.92		mA

Symbol	Parameter	Conditions	Min	Typ	Max	Unit
		$V_{BAT} = 1.4V$; no signal, stereo, ECO mode		0.63		mA
I_{HP}	Headphone stage current	$V_{BAT} = 1.8V$; no signal, high quality mode		2.9		mA
		$V_{BAT} = 1.8V$; no signal, ECO mode		2.4		mA
		$V_{BAT} = 1.4V$; no signal, high quality mode		2.78		mA
		$V_{BAT} = 1.4V$; no signal, ECO mode		2.32		mA
I_{OP1}	ANC Filter OPAMP current	$V_{BAT} = 1.8V$; OP1L and OP1R enabled, High quality mode		1		mA
		$V_{BAT} = 1.8V$; OP1L and OP1R enabled, ECO mode		0.7		mA
		$V_{BAT} = 1.8V$; OP1L and OP1R enabled, High quality mode		0.95		mA
		$V_{BAT} = 1.8V$; OP1L and OP1R enabled, ECO mode		0.65		mA
I_{MICS}	Microphone low noise LDO supply current	$V_{BAT} = 1.8V$; no load; high quality mode		0.69		mA
		$V_{BAT} = 1.4V$; no load; high quality mode		0.67		mA
		$V_{BAT} = 1.8V$; no load; ECO mode		0.33		mA
		$V_{BAT} = 1.4V$; no load; ECO mode		0.32		mA
I_{MICS_CP}	Microphone supply charge pump current	$V_{BAT} = 1.8V$; no load		0.3		mA
		$V_{BAT} = 1.4V$; no load		0.26		mA
Typical System Power Consumption						
P_{FF}	Typical power consumption feed forward application in high quality mode configuration	$V_{BAT} = 1.8V$; OP1L, OP1R enabled, 250 μ A microphone load; all amplifiers in high quality mode		15		mW
		$V_{BAT} = 1.4V$; OP1L, OP1R enabled, 250 μ A microphone load; all amplifiers in high quality mode		10.7		mW
P_{FF_ECO}	Typical power consumption feed forward application in ECO mode configuration	$V_{BAT} = 1.8V$; OP1L, OP1R enabled, 250 μ A microphone load; all amplifiers in ECO mode		12.4		mW
		$V_{BAT} = 1.4V$; OP1L, OP1R enabled, 250 μ A microphone load; all amplifiers in ECO mode		8.8		mW

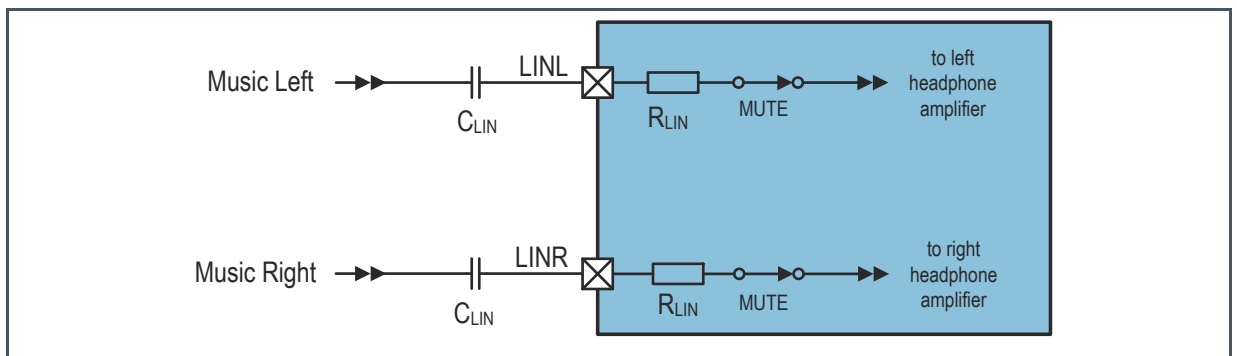
6 Functional Description

This section provides a detailed description of the device related components.

6.1 Audio Line Input

The chip features one stereo line input for music playback. In monitor mode the line inputs can also be muted in order to interrupt the music playback and increase speech intelligibility.

Figure 7:
Stereo Line Input



If there is a high pass function desired in an application, to block very low frequencies that could harm the speaker or eliminate little offset voltages, a series capacitor C_{LIN} can support this function. The implementation is shown in Figure 7. The correct capacitor value for the desired cut-off frequency can be calculated with the following formula:

Equation 1:

$$C_{LIN} = \frac{1}{2 * \pi * R_{LIN} * f_{cut-off}}$$

A typical cut-off frequency in an audio application is 20Hz. With an input impedance R_{LIN} of typ. 1k Ω and a desired cut off frequency of 20Hz the input capacitor should be bigger than 8 μ F. Therefore a typical value of 10 μ F is recommended.

6.1.1 Parameter

$V_{BAT}=1.65V$, $T_A= 25^\circ C$ unless otherwise specified.

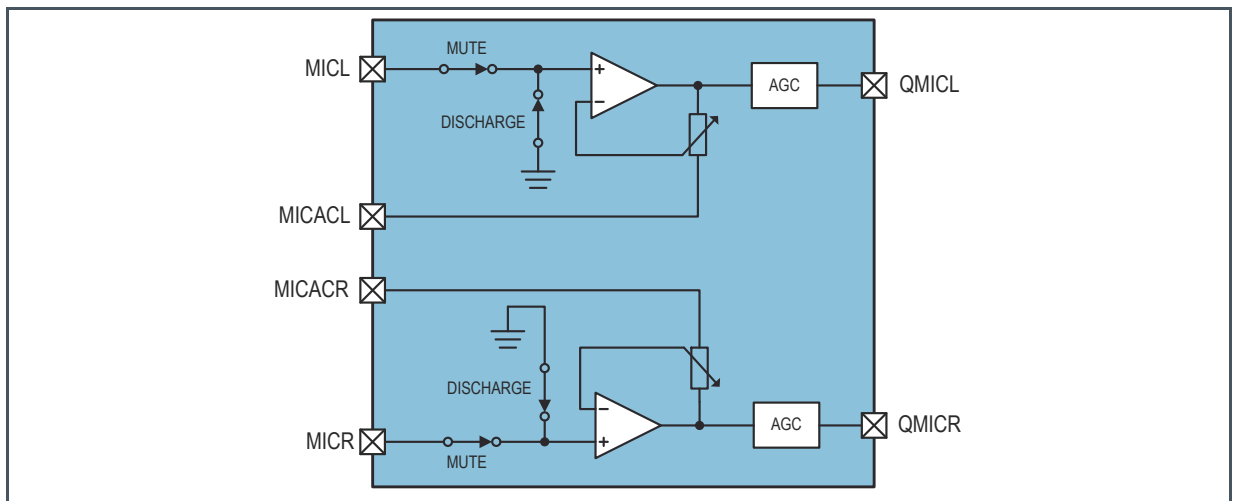
Figure 8:
Parameter of Line Input

Symbol	Parameter	Conditions	Min	Typ	Max	Unit
V_{LIN}	Input Signal Level			V_{BAT}^* 0.9	V_{BAT}	V_{PEAK}
R_{LIN}	Input Impedance			1		k Ω
A_{MUTE}	Mute Attenuation		100			dB

6.2 Microphone Inputs

The AS3418 offers two low noise microphone inputs with full digital control and a dedicated DC offset cancellation pin for each microphone input. In total each gain stage offers up to 63 gain steps of 0.5dB resulting in a gain range from 0dB to +31dB. The microphone gain is stored digitally during production, in an EEPROM memory on the ANC chip. Besides the standard microphone gain register for left and right channel, the chip features also four additional microphone gain registers for Monitor- and Playback Only operation mode. Thus, in Monitor/Playback Only mode, a completely different gain setting for left and right microphone can be selected to implement voice filter functions in order to amplify the speech band for better intelligibility.

Figure 9:
Stereo Microphone Inputs

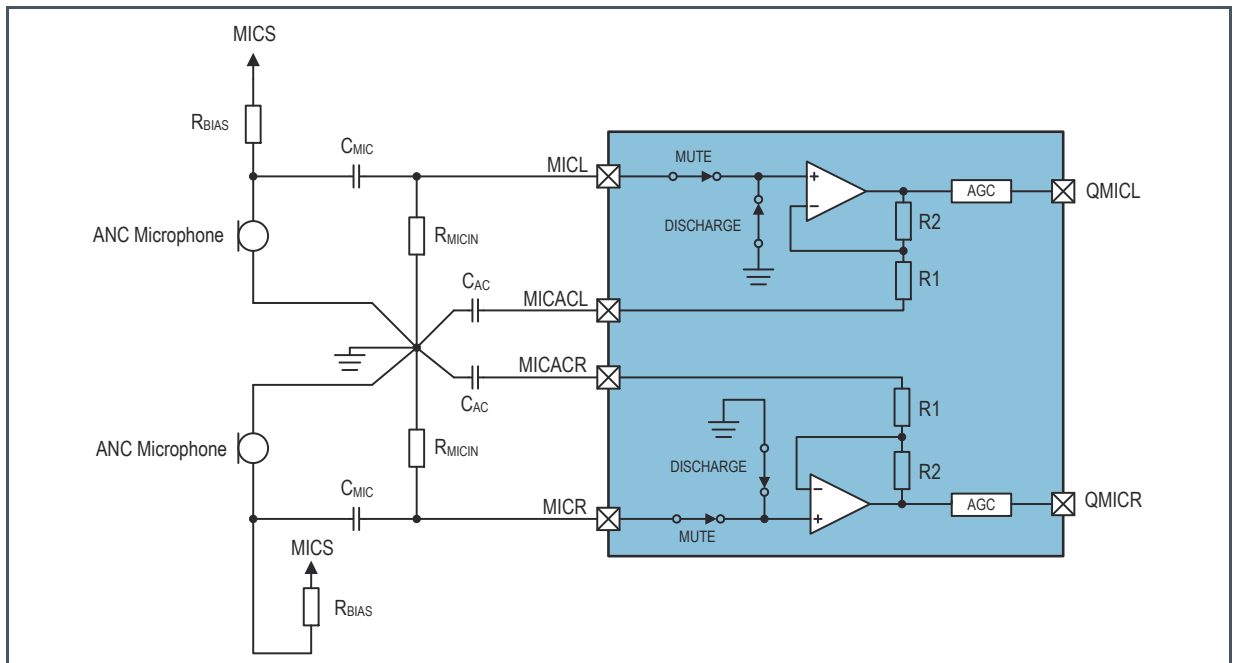


To avoid unwanted start-up pop noise, a soft-start function is implemented for an automatic gain ramping of the device. In case of an overload condition on the microphone input (e.g. high sound pressure level) there is also an automatic gain control (AGC) function available which reduces the gain to a moderate level. For some designs it might be useful to switch off this feature. Especially in feedback systems infrasound can cause an overload condition of the microphone preamplifier that results in low frequency noise which can be avoided by disabling the AGC.

6.2.1 Input Capacitor Selection

The microphone preamplifier needs a bias resistor (R_{BIAS}) per channel as well as DC blocking capacitors (C_{MIC}). The capacitors C_{AC} are DC blocking capacitors to avoid DC amplification of the non-inverting microphone preamplifier. This capacitor has an influence on the frequency response because the internal feedback resistors create a high pass filter. The typical application circuit is shown in Figure 10 with all necessary components.

Figure 10:
Microphone Capacitor Selection Circuit



The corner frequency of this high pass filter is defined with the capacitor C_{AC} and the gain of the headphone amplifier. Figure 11 shows an overview of typical cut-off frequencies with different microphone gain settings.

Figure 11:
Microphone Cut-Off Frequency Overview

Microphone Gain	R_1	R_2	$f_{cut-off}$
0dB	22.2k Ω	0 Ω	1.7Hz
3dB	15716 Ω	6484 Ω	1.9Hz
6dB	11126 Ω	11074 Ω	2.2Hz
9dB	7877 Ω	14323 Ω	2.7Hz
12dB	5576 Ω	16623 Ω	3.5Hz
15dB	3948 Ω	18252 Ω	4.5Hz

Microphone Gain	R ₁	R ₂	f _{cut-off}
18dB	2795Ω	19405Ω	6.1Hz
21dB	1979Ω	20221Ω	8.4Hz
24dB	1400Ω	20800Ω	11.5Hz
27dB	992Ω	21208Ω	16.3Hz
30dB	702Ω	21498Ω	22.7Hz

It is important when doing the ANC filter simulations to include all microphone filter components to incorporate the **gain and phase influence** of these components. In the cut-off frequency overview, capacitor C_{AC} was defined as 10μF which results in a rather low cut-off frequency for best ANC filter design. If a different capacitor value is desired in the application, the following formula defines the transfer function of the high pass circuit of the microphone preamplifier:

Equation 2:

$$|A| = \frac{\sqrt{4 * C_{AC}^2 * f^2 * (R_1 + R_2)^2 * \pi^2 + 1}}{\sqrt{4 * C_{AC}^2 * f^2 * R_1^2 * \pi^2 + 1}}$$

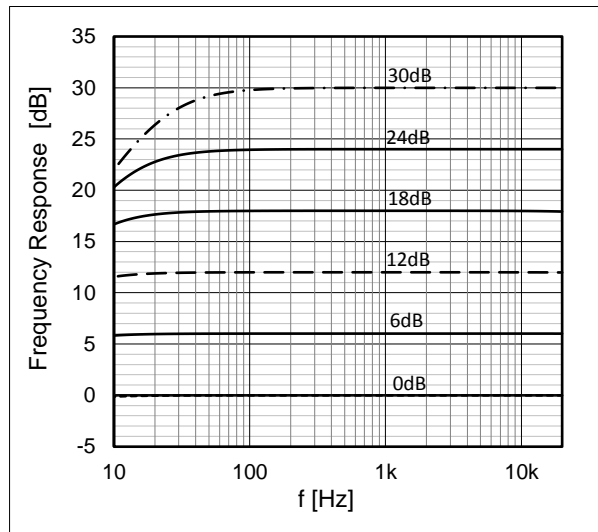
The simplified transfer function does not include the high pass filter defined by CMIC and RMICIN. With the recommended values of 2.2μF for CMIC and 22kΩ for RMICIN this filter can be neglected because of the very low cut-off frequency of 1.5Hz. The cut-off frequency for this filter can be calculated with the following formula:

Equation 3:

$$f_{cut-off} = \frac{1}{2 * \pi * R_{MICIN} * C_{MIC}}$$

The simulated frequency response for the microphone preamplifier with the recommended component values is shown in Figure 12.

Figure 12 :
Simulated Microphone Frequency Response



In applications with PCB space limitations it is also possible to remove the capacitors C_{AC} and connect MICACL and MICACR pins directly to AGND. In this configuration AC coupling of the QMICR and QMICL signals is recommended.

6.2.2 Parameter

$V_{BAT}=1.8V$, $T_A= 25^{\circ}C$, $C_{AC}=10\mu F$, $C_{MIC}=4.7\mu F$ and $R_{MICIN}=2.2k\Omega$ unless otherwise specified.

Figure 13:
Microphone Parameter

Symbol	Parameter	Conditions	Min	Typ	Max	Unit
V_{MICIN_0}	Typical maximum Input Signal Level	Preamplifier gain=0dB, THD < 0.1%		1050		mV _{RMS}
V_{MICIN_0}		Preamplifier gain=20dB, THD < 0.1%		110		mV _{RMS}
SNR	Signal to Noise Ratio	0dB gain, High quality mode, AGC disabled		119		dB
		10dB gain, High quality mode, AGC disabled		109		dB
		20dB gain, High quality mode, AGC disabled		106		dB
		0dB gain, ECO mode, AGC disabled		117		dB
		10dB gain, ECO mode, AGC disabled		108		dB

Symbol	Parameter	Conditions	Min	Typ	Max	Unit
		20dB gain, ECO mode, AGC disabled		105		dB
$V_{\text{NOISE-A}}$	A-weighted output noise floor	0dB gain, 20Hz – 20kHz bandwidth, high quality		1.3		μV
		10dB gain, 20Hz – 20kHz bandwidth, high quality		4.5		μV
		20dB gain, 20Hz – 20kHz bandwidth, high quality		13.7		μV
		0dB gain, 20Hz – 20kHz bandwidth, ECO mode		1.4		μV
		10dB gain, 20Hz – 20kHz bandwidth, ECO mode		5		μV
		20dB gain, 20Hz – 20kHz bandwidth, ECO mode		15.7		μV
		I_{MIC}	Block Current Consumption	$V_{\text{BAT}} = 1.8\text{V}$; no signal, stereo, normal mode		1
$V_{\text{BAT}} = 1.8\text{V}$; no signal, stereo, ECO mode				0.7		mA
$V_{\text{BAT}} = 1.4\text{V}$; no signal, stereo, normal mode				0.9		mA
$V_{\text{BAT}} = 1.4\text{V}$; no signal, stereo, ECO mode				0.6		mA
A_{MIC}	Programmable Gain		0		31	dB
	Gain Step Size			0.5		dB
	Gain Step Precision				0.2	dB

Figure 14 :
Microphone Frequency Response (MICACx grounded; $C_{MIC}=10\mu F$)

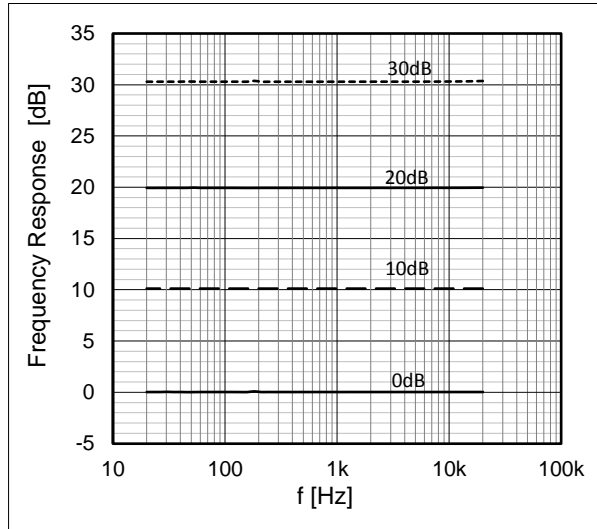


Figure 15:
Microphone THD+N vs. V_{input} High Quality Mode (A-weighted)

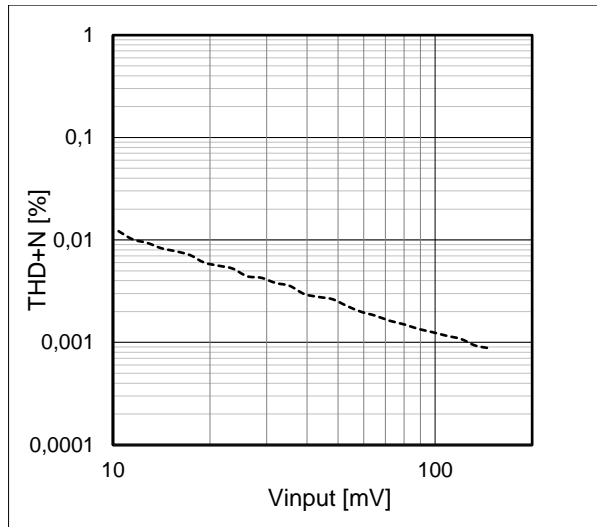
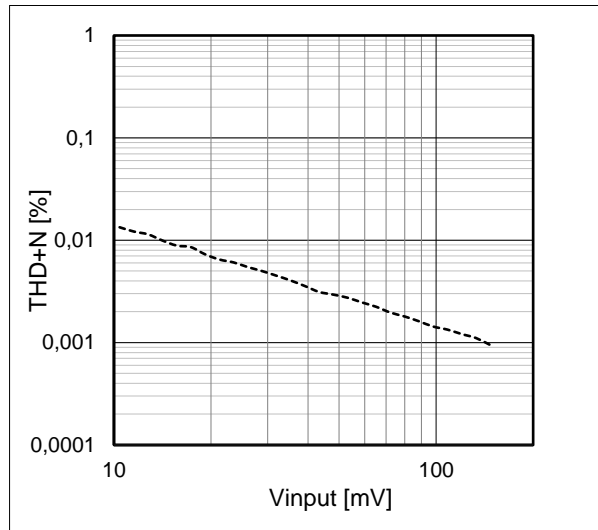


Figure 16:
Microphone THD+N vs. V_{input} ECO Mode (A-weighted)



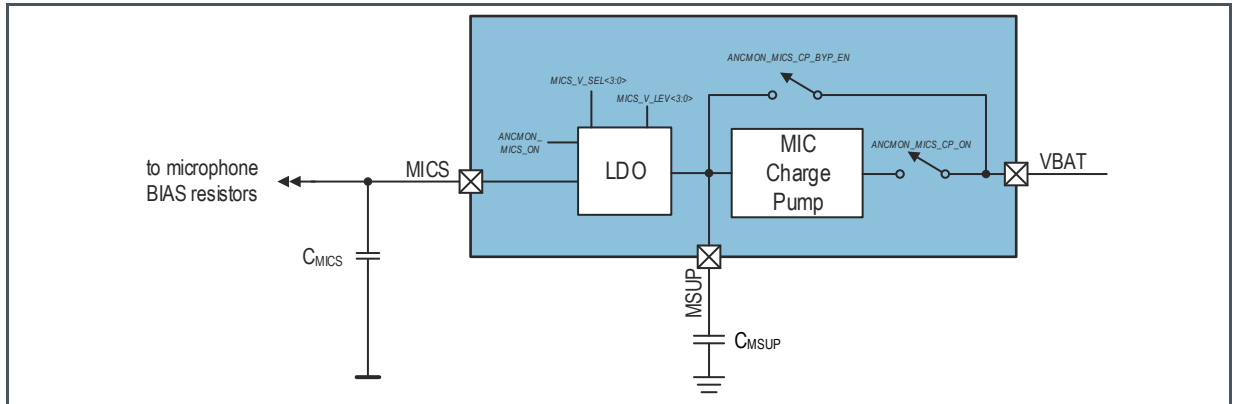
6.3 Microphone Supply

The AS3418 features an integrated microphone supply voltage regulator and a charge pump to source the microphone LDO even with a 1.4V chip supply voltage in order to increase the sensitivity of the microphone. The microphone supply charge pump is in default configuration enabled and can be controlled in ANC and Monitor operation mode with register **ANCMON_MICS_CP_ON** bit. For PBO operation mode there is a dedicated control bit **PBO_MICS_CP_ON**.

The output of the charge pump is directly connected to an internal microphone supply ultra-low noise voltage regulator. This low dropout (LDO) regulator is in default configuration enabled and can be controlled with **ANCMON_MICS_ON** bit. The default output voltage of the regulator is 2.9V. If there is a lower output voltage desired in an application the voltage level can be changed via register **MICS_V_SEL** register.

If the AS3418 is connected to a 1.5V battery the input voltage will of course drop during operation because the battery is discharging during operation. In order to make sure the microphone supply LDO has enough headroom to regulate properly the device features an automatic output voltage adjustment feature. This function makes sure the voltage regulator has enough headroom and adjusts the output voltage of the LDO accordingly.

Figure 17:
Microphone Supply



The microphone supply charge pump is also used to switch off the integrated music bypass switch of the AS3418 in active mode. Therefore, during normal operation the microphone supply must not be switched off if the BPL and BPR pins are in use.

6.3.1 Parameter

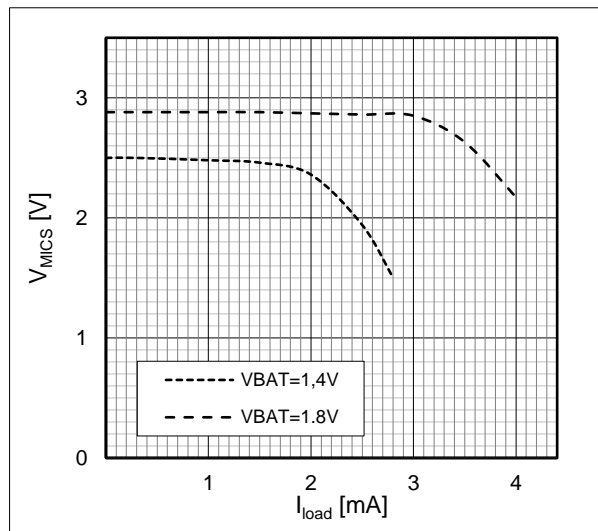
$V_{BAT}=1.8V$, $T_A=25^{\circ}C$, $C_{MSUP} = 4.7\mu F$ and $C_{MICS} = 4.7\mu F$ unless otherwise specified.

Figure 18:
Microphone Supply Parameter

Symbol	Parameter	Conditions	Min	Typ	Max	Unit
V_{MICS}	Microphone supply LDO output voltage	$V_{BAT}=1.8V$; no load; charge pump activated		2.9		V
		$V_{BAT}=1.4V$; no load; charge pump activated		2.5		V
V_{MSUP}	Microphone supply charge pump output voltage	$V_{BAT}=1.8V$; no load; MICS voltage regulator off		3.15		V
		$V_{BAT}=1.4V$; no load; MICS voltage regulator off		2.7		V
$V_{Noise-A}$	Microphone Supply Noise at MICS output	High quality mode enabled; 1mA load; A-weighted		1.7		μV
		High quality mode disabled; 1mA load; A-weighted		2.2		μV
I_{MICS}	Current consumption low noise voltage regulator	$V_{BAT} = 1.8V$; no load; HIQ_EN_MICS_LDO = 1		0.69		mA
		$V_{BAT} = 1.4V$; no load; HIQ_EN_MICS_LDO = 1		0.67		mA

Symbol	Parameter	Conditions	Min	Typ	Max	Unit
		$V_{BAT} = 1.8V$; no load; HIQ_EN_MICS_LDO = 0		0.33		mA
		$V_{BAT} = 1.4V$; no load; HIQ_EN_MICS_LDO = 0		0.32		mA
I_{MICS_CP}	Current consumption microphone supply charge pump	$V_{BAT} = 1.8V$; MICS voltage regulator off; no load		0.3		mA
		$V_{BAT} = 1.8V$; MICS voltage regulator off; 1mA load		3.5		mA
		$V_{BAT} = 1.4V$; MICS voltage regulator off; no load		0.26		mA
		$V_{BAT} = 1.4V$; MICS voltage regulator off; 1mA load		3.33		mA
I_{OUT}	Output current	Charge pump activated		2		mA

Figure 19:
Microphone Supply Load Characteristic



6.4 Headphone Amplifier

The headphone amplifier is a true ground output using V_{NEG} as negative supply. It is designed to feature an output power of $2 \times 34mW @ 32\Omega$ load. For higher output requirements, the headphone amplifier is also capable of operating in bridged mode. In this mode the left output is carrying the inverted signal of the right output shown in Figure 21. With a V_{BAT} voltage of 1.8V, a maximum output power of 100mW can be achieved. This is necessary for over- and on ear headsets with higher output power requirements. The amplifier itself features various input sources. The line input signal is directly connected to the headphone amplifier. The input multiplexer supports three different input signals

which can be configured according in the **ANC_HPH_MUX**, **MON_HPH_MUX** and **PBO_HPH_MUX** registers independently for each operation mode. The “Open” setting is being used to disable the active noise cancelling function.

Figure 20:
Headphone Amplifier Single Ended

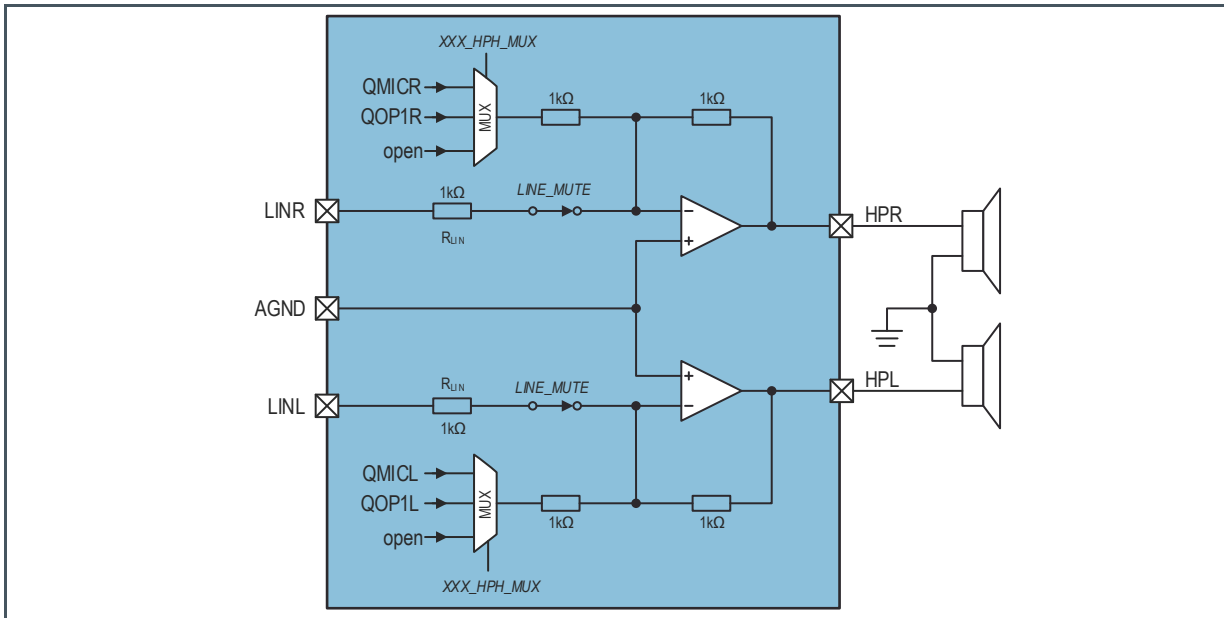
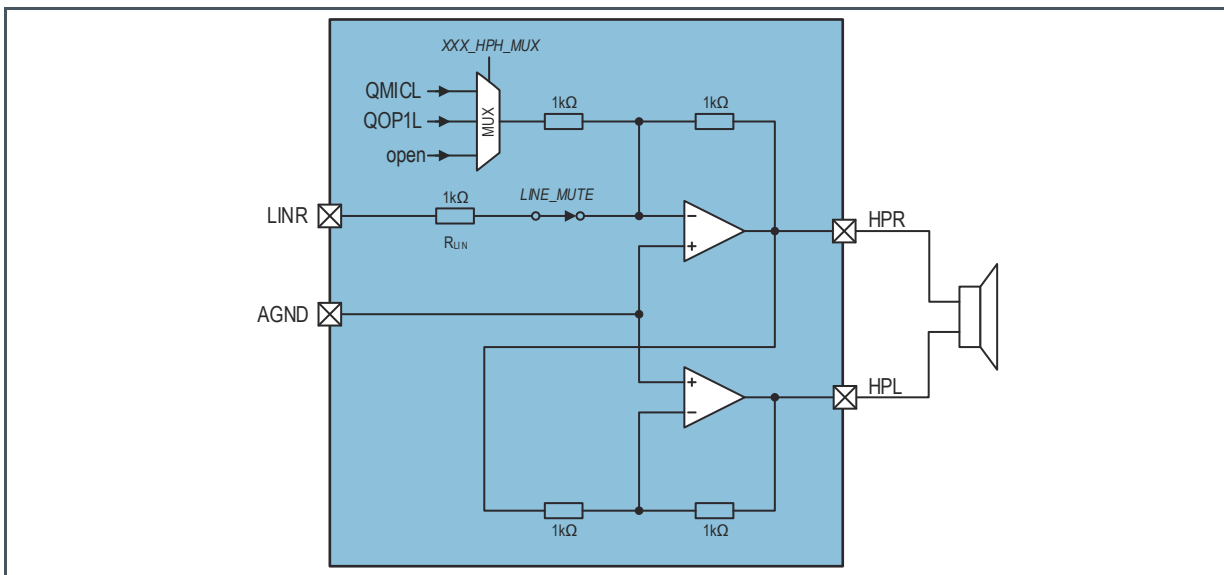


Figure 21:
Headphone Amplifier Differential



6.4.1 Parameter

$V_{BAT} = 1.8V$, $T_A = 25^{\circ}C$, unless otherwise specified.

Figure 22:
Microphone Supply Parameter

Symbol	Parameter	Conditions	Min	Typ	Max	Unit
R _{L_HP}	Load Impedance	Stereo Operation Mode	16	32		Ω
		Mono Operation Mode	32			Ω
C _{L_HP}	Load Capacitance	Per channel			100	pF
P _{HP}	Nominal Output Power Stereo Mode	$V_{BAT} = 1.8V$; 32Ω load; THD<0.1%		35		mW
		$V_{BAT} = 1.4V$; 32Ω load; THD<0.1%		20		mW
		$V_{BAT} = 1.8V$; 16Ω load; THD<0.1%		55		mW
		$V_{BAT} = 1.4V$; 16Ω load; THD<0.1%		30		mW
P _{BRIDGE}	Nominal Output Power Differential Mode	$V_{BAT} = 1.8V$; 32Ω load; THD<0.1%		130		mW
		$V_{BAT} = 1.4V$; 32Ω load; THD<0.1%		75		mW
I _{HPH}	Supply Current	$V_{BAT} = 1.8V$; no input signal, normal mode		2.9		mA
		$V_{BAT} = 1.8V$; no input signal, ECO mode		2.4		mA
		$V_{BAT} = 1.4V$; no input signal, normal mode		2.8		mA
		$V_{BAT} = 1.4V$; no signal, ECO mode		2.3		mA
P _{SRRHP}	Power Supply Rejection Ratio	1kHz		100		dB
SNR	Signal to Noise Ratio	High Quality Mode, Line Input -> HPH stereo in phase test signal; 32Ω load; $V_{BAT} = 1.8V$; A-weighted		117		dB
		High Quality Mode, Line Input -> HPH stereo out of phase test signal; 32Ω load; $V_{BAT} = 1.8V$; A-weighted		117.5		dB
		ECO Mode, Line Input -> HPH stereo in phase test signal; 32Ω load; $V_{BAT} = 1.8V$; A-weighted		114		dB

Symbol	Parameter	Conditions	Min	Typ	Max	Unit
		ECO Mode, Line Input -> HPH stereo out of phase test signal; 32Ω load; V _{BAT} = 1.8V; A- weighted		114.5		dB
A _{CHANNEL}	Channel Separation	32Ω load		93		dB
V _{NOISE-A}	A-Weighted Output Noise Floor	High Quality Mode; 32Ω load; HP_MUX = nc; LINx connected to ground		1.5		μV
		ECO Mode; 32Ω load; HP_MUX = nc; LINx connected to ground		2.1		μV

Figure 23:
Headphone THD+N vs. Output Power 32Ω
Stereo – High Quality Mode

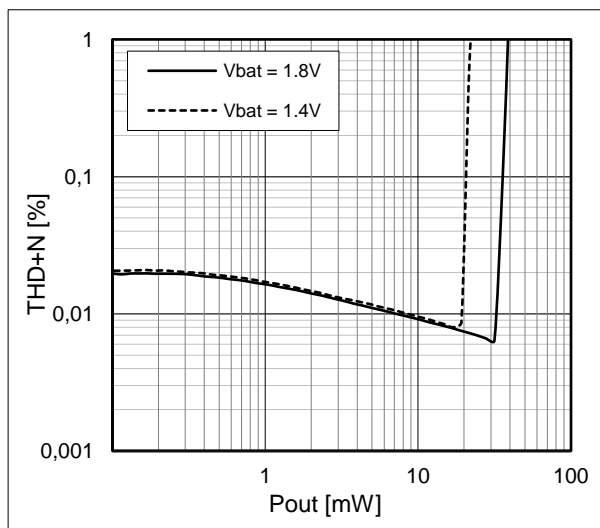


Figure 24:
Headphone THD+N vs. Output Power 32Ω
Stereo – ECO Mode

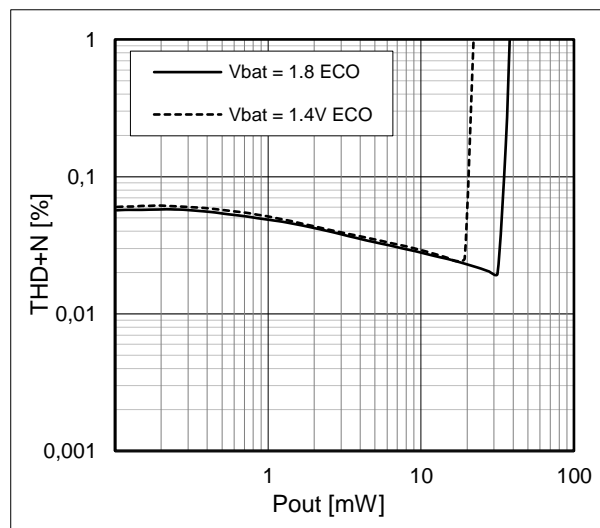


Figure 25:
Headphone THD+N vs. Output Power 16Ω
Stereo – High Quality Mode

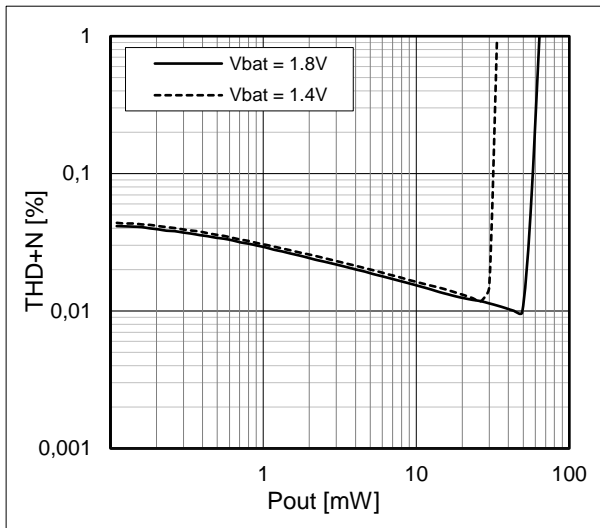


Figure 26:
Headphone THD+N vs. Output Power 16Ω
Stereo – ECO Mode

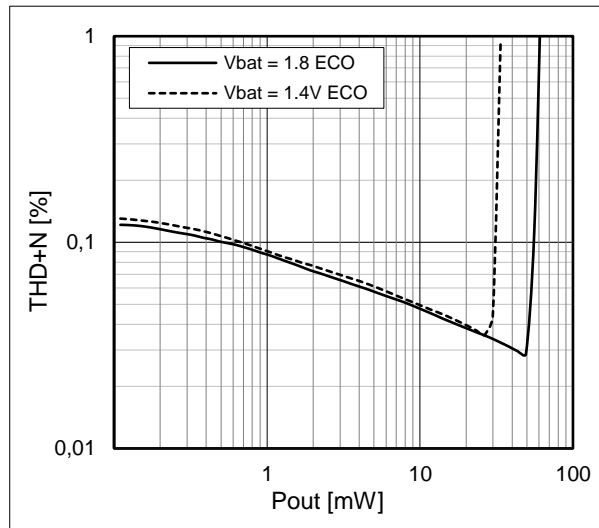


Figure 27:
Headphone THD+N vs. Output Power 32Ω
MONO – High Quality Mode (1.8/1.4V)

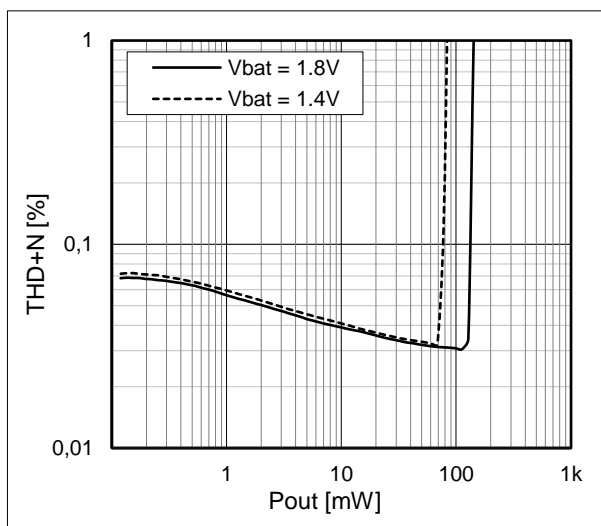
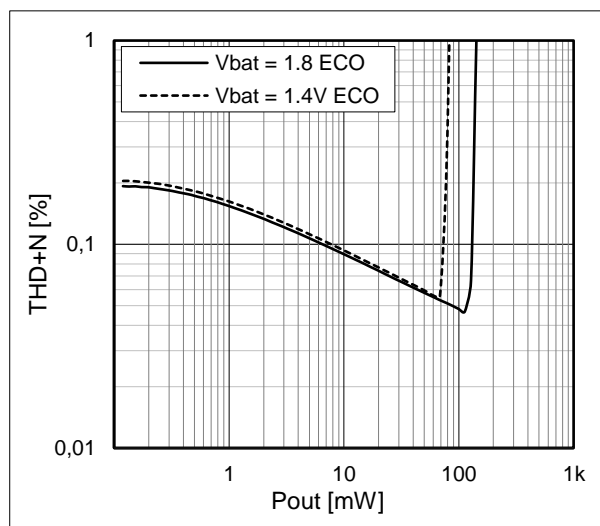


Figure 28:
Headphone THD+N vs. Output Power 32Ω
MONO –ECO Mode (1.8/1.4V)



6.5 Music Bypass Switch

If the AS3418 is switched off, the device features a unique feature, which are integrated music bypass switches. These switches can be used to replace a mechanical switch to bypass the music signal in

off mode or if the headset runs out of battery. Figure 29 shows the basic music playback path of the AS3418 with a full battery. In this mode the line input signal is feed to the headphone amplifier. The integrated bypass switches are automatically disabled in this operation mode.

Figure 29:
Bypass Mode Inactive

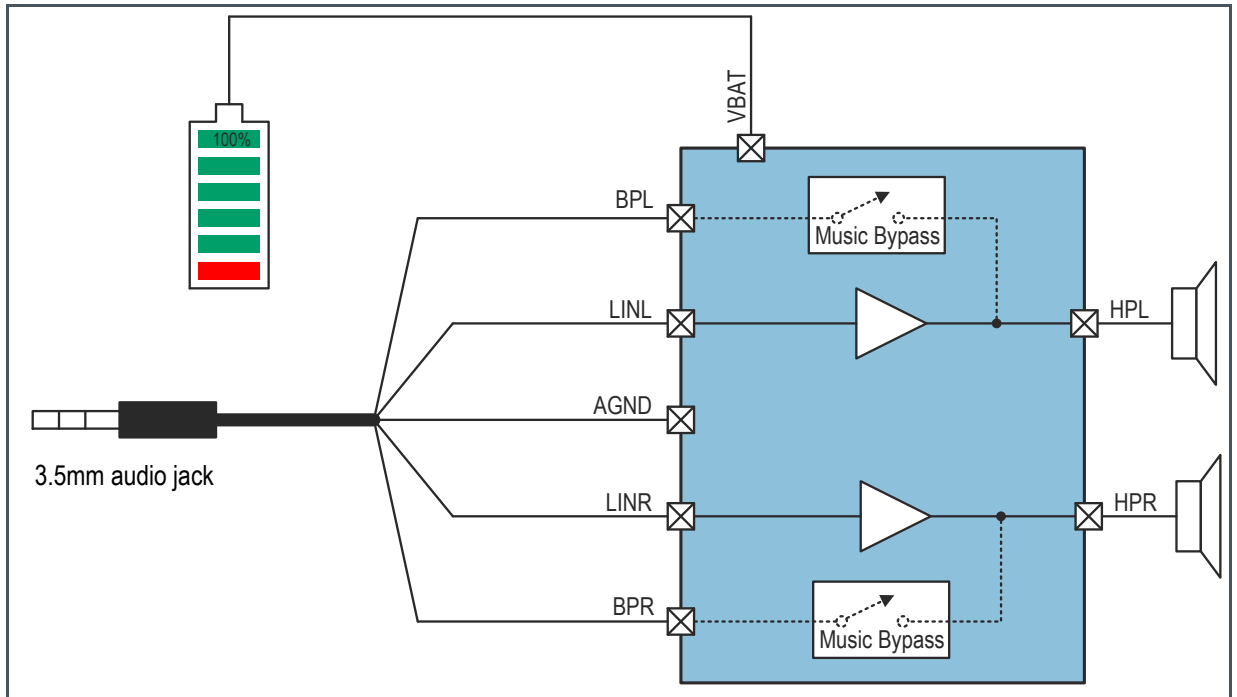
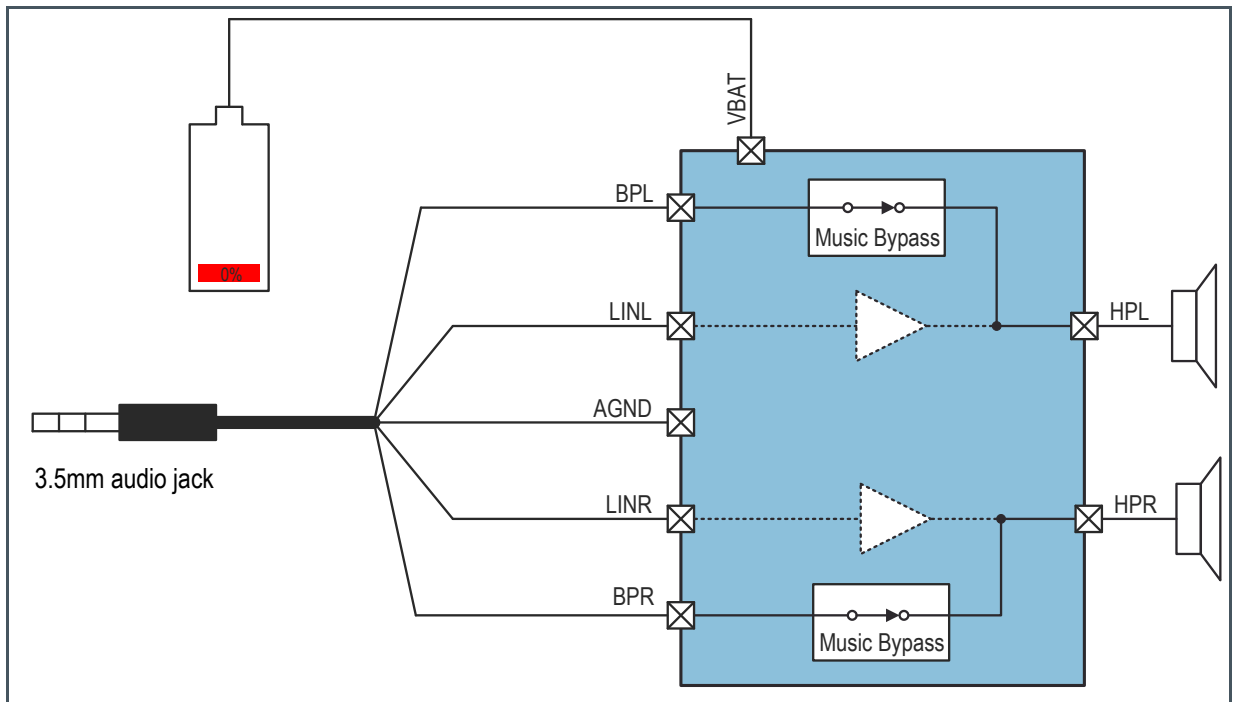


Figure 30 shows the AS3418 in off mode with an empty battery. This is basically the same use case as no battery at all. In this mode the internal bypass switch becomes active. The headphone amplifier is not powered because the headset has run out of battery and the bypass switch becomes active. Thus the music signal coming from the 3.5mm audio jack is routed through the ANC chip, without any power source connected to the device, to the speakers. The integrated bypass switch works even without any battery connected to the device. It helps to reduce BOM costs and PCB area. Furthermore it facilitates new industrial designs to ANC solutions.

Figure 30:
Bypass Mode Active



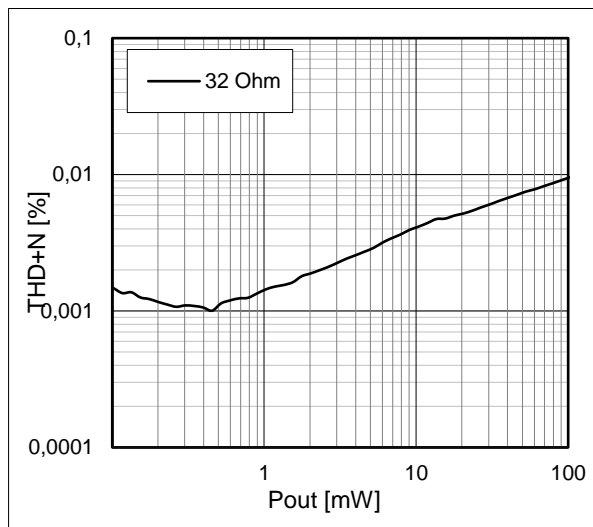
6.5.1 Parameter

$V_{BAT} = 0V$, $T_A = 25^\circ C$, unless otherwise specified.

Figure 31:
Bypass Switch Parameter

Symbol	Parameter	Conditions	Min	Typ	Max	Unit
R_{SWITCH}	Switch resistance	Power down		1.2		Ω
THD	Total Harmonic Distortion	0dBV input signal, 32 Ω load		-85		dB
		0dBV input signal, 16 Ω load		-79		dB

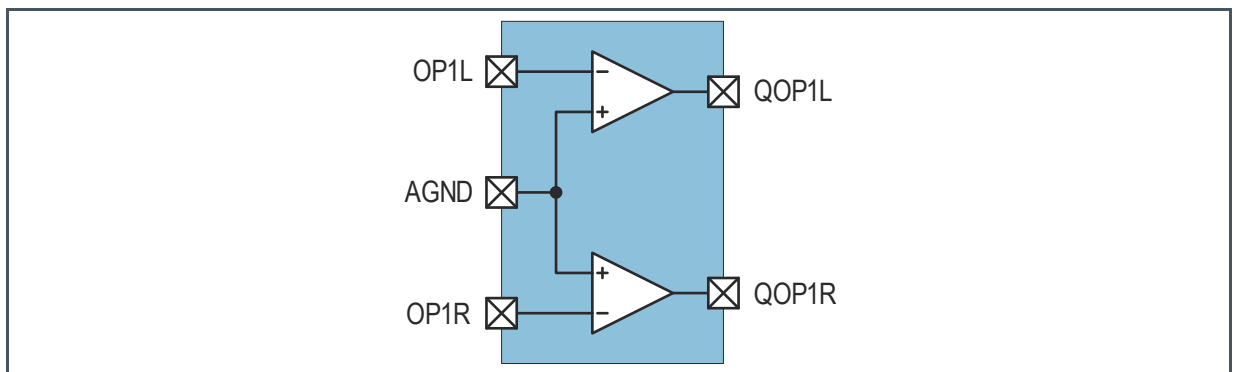
Figure 32 :
Bypass THD+N vs. Output Power 32Ω Load



6.6 Operational Amplifier

The AS3418 offers one general purpose operational amplifier for feed-forward ANC. The amplifier is used to develop the gain- and phase compensation filter for the ANC signal path.

Figure 33:
Operational Amplifier



6.6.1 Parameter

$V_{BAT} = 1.8V$, $T_A = 25^\circ C$, $R_{input} = R_{FB} = 1k\Omega$ unless otherwise specified.

Figure 34:
Operational Amplifier Parameter

Symbol	Parameter	Conditions	Min	Typ	Max	Unit
V_{IN}	Input Signal Level	Gain=0dB		$0.9 \cdot V_{BAT}$	V_{BAT}	V_{PEAK}
SNR	Signal to Noise Ratio	10k Ω load, Gain = 0dB ⁽¹⁾ , $V_{BAT}=1.8V$, High Quality Mode		114.5		dB
		10k Ω load, Gain = 0dB ⁽¹⁾ , $V_{BAT}=1.4V$ High Quality Mode		111.4		dB
		10k Ω load, Gain = 0dB ⁽¹⁾ , $V_{BAT}=1.8V$, ECO Mode		113.3		dB
		10k Ω load, Gain = 0dB ⁽¹⁾ , $V_{BAT}=1.4V$, ECO Mode		110		dB
I_{OP1}	Block Current Consumption	$V_{BAT} = 1.8V$; OP1L and OP1R enabled; normal mode		1		mA
		$V_{BAT} = 1.8V$; OP1L and OP1R enabled; ECO mode		0.7		mA
		$V_{BAT} = 1.4V$; OP1L and OP1R enabled; normal mode		0.95		mA
		$V_{BAT} = 1.4V$; OP1L and OP1R enabled; ECO mode		0.65		mA
$V_{NOISE-A}$	Input Referred Noise Floor A- Weighted	High Quality Mode		2.2		μV
		ECO Mode		2.6		μV
V_{OFFSET}	DC offset voltage	Gain=0dB			500	μV
C_L	Load Capacitance				100	pF
R_L	Load Impedance		1			k Ω
A_{LOOP}	Open Loop Gain	100MHz		120		dB

(1) SNR figure measured with 20dB gain to minimize audio analyzer noise floor

Figure 35 :
Operational Amplifier Frequency Response

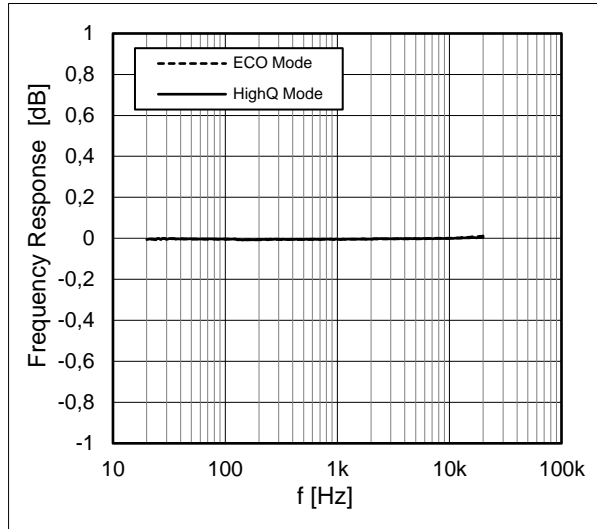
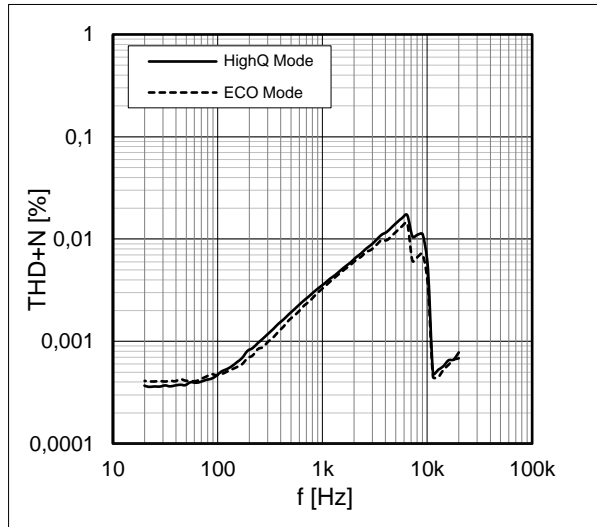


Figure 36 :
OPAMP THD+N vs. Frequency



6.7 System

This chapter describes the power up and power down conditions of AS3418. Furthermore the Start-up sequence of the device is also described in more detail.

Figure 37:
Power Up Conditions

#	Source	Description
1	MODE/CSCL pin	<p>Depending on the operation mode the power up/down pin MODE/CSCL pin behaves differently:</p> <p>Slider Mode: Mode pin has to be driven high turn on the device. Since the timing can be programmed the value depends also on POWER_UP_BUT_TIME register setting. With default configuration of POWER_UP_BUT_TIME register typ. button press time is ~16ms.</p> <p>Full Slider Mode: Mode pin has to be driven high turn on the device. Since the timing can be programmed the value depends also on POWER_UP_BUT_TIME register setting. With default configuration of POWER_UP_BUT_TIME register typ. button press time is ~16ms.</p> <p>Push Button Mode: Mode pin has to be driven high turn on the device. Since the timing can be programmed the value depends also on POWER_UP_BUT_TIME register setting. With default configuration of POWER_UP_BUT_TIME register typ. button press time is ~16ms.</p>
2	I ² C start condition	In I ² C mode, an I ² C start condition turns on the device. For this startup function I2C_MODE bit must be set in the EEPROM register.

The chip automatically powers down if one of the following conditions arises:

Figure 38:
Power Down Conditions

#	Source	Description
1	MODE/CSCL pin	<p>Depending on the operation mode the power MODE/CSCL pin behaves differently:</p> <p>Slider Mode: Mode pin has to be driven low for min. 10ms to turn off the device</p> <p>Full Slider Mode: Mode pin has to be driven low for min. 10ms to turn off the device</p> <p>Push Button Mode: Mode pin has to be high for the time defined in PWR_DOWN_BUT_TIME register to turn off the device.</p>
2	I ² C power down command	Power down by serial interface is initiated by clearing the PWR_HOLD bit. (Please mind that the I2C_MODE bit has to be set before clearing the PWR_HOLD bit to enable the I ² C power down mode)
3	V _{NEG} over current	Power down if V _{NEG} is higher than the V _{NEG} off-threshold.

6.7.1 Start-Up Sequence

The AS3418 has a defined startup sequence. Once the AS3418 MODE pin is pulled high, the device initiates the automatic startup sequence shown in Figure 39 or Figure 40 depending on the operation

mode. In case the **I2C_MODE** bit is set the device behaves differently during startup compared to normal operation with external slide switch or push button.

Figure 39:
Normal Start-Up Sequence

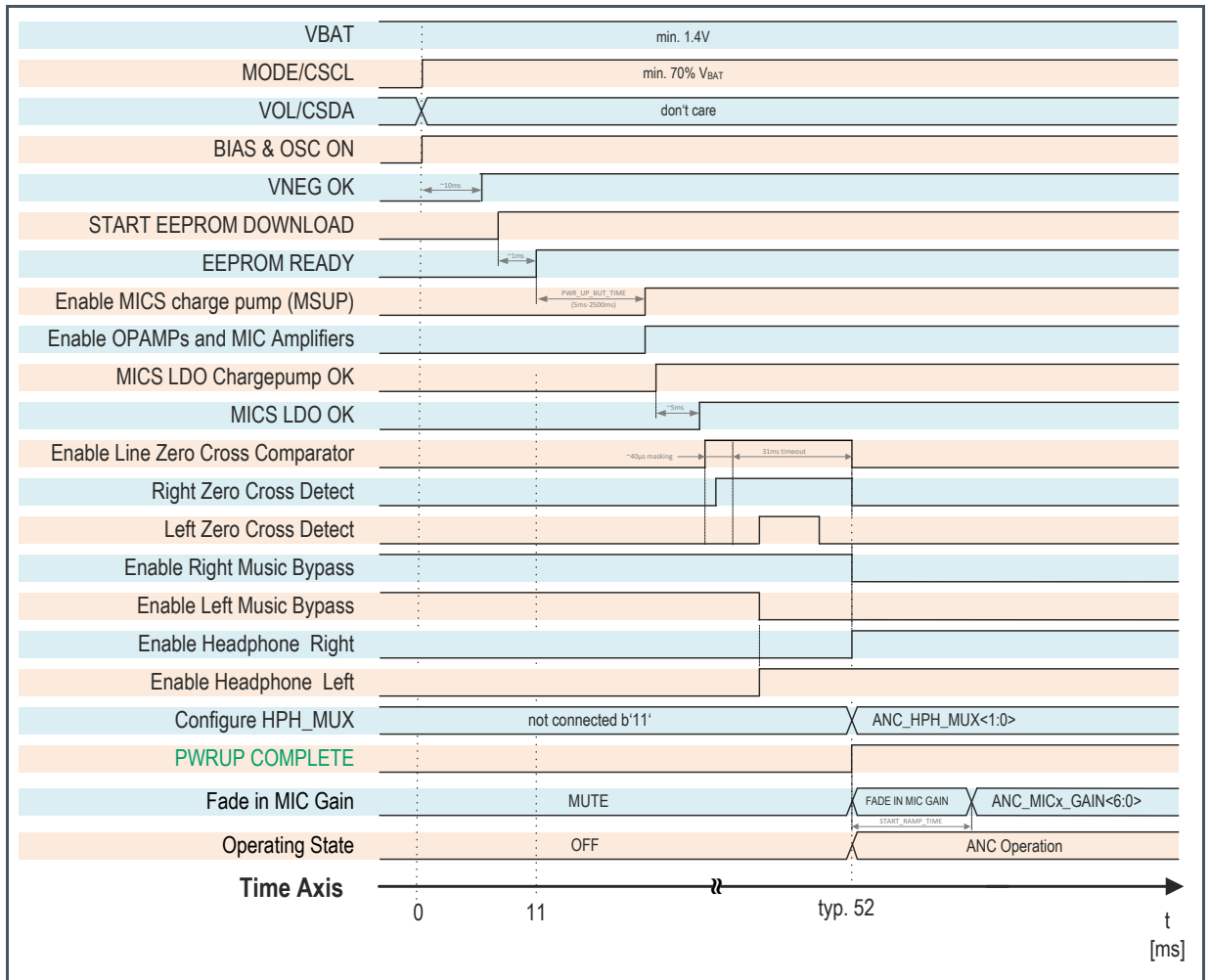
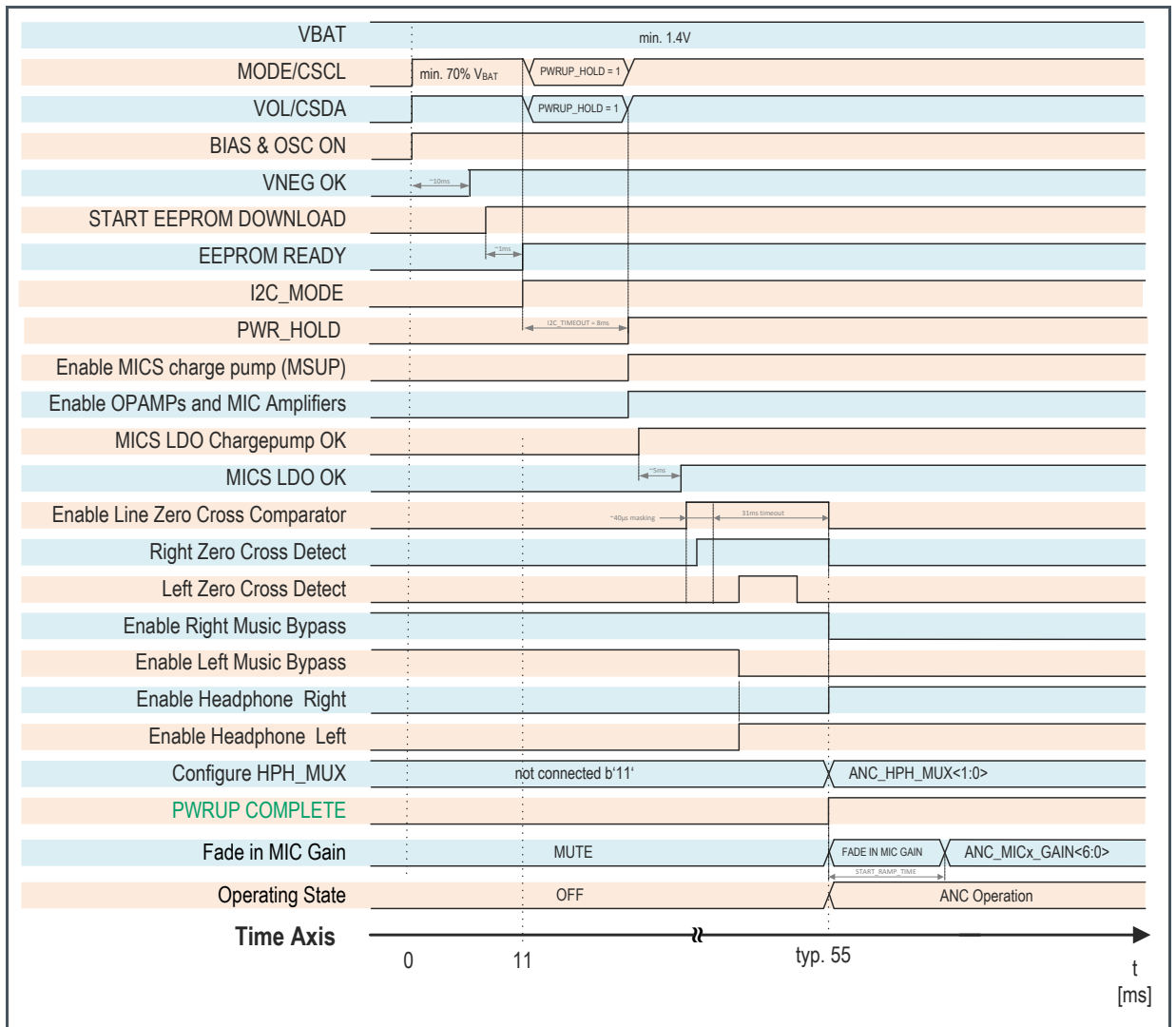


Figure 40:
I²C Start-Up Sequence



6.8 Operation Modes

If the AS3418 is in stand-alone mode (no I²C control), the device can work in different operation modes. An overview of the different operation modes is shown in Figure 41.

Figure 41:
Operation Modes

MODE	Description
OFF	Chip is turned off.
ANC	Chip is turned on and active noise cancellation is enabled.

MODE	Description
MONITOR	In Monitor Mode, a different (normally higher) microphone preamplifier gain can be configured to get an amplification of the ambient noise. To get rid of the low pass filtering needed for the noise cancellation, the headphone input multiplexer can be set to a different (normally to MIC) source to increase speech intelligibility. In addition, the Line Input signal can be muted for further improved intelligibility. If the device is operated in I ² C mode, it is also possible to enter the monitor mode by setting the MON_MODE_EN bit in register 0x03.
PBO	The Playback Only mode is a special mode that disables the noise cancelling function and just keeps e.g. line input amplifier or headphone amplifier active. Certainly this operation mode can also be used as an alternative Monitor or ANC mode with different gain settings.

With the AS3418 design engineers have different options to enter the described operation modes shown in Figure 41. In addition to the different user interface modes described in the following three chapters, it is also important to configure the device accordingly. Figure 42 shows the required register configuration settings to enable the different AS3418 control modes.

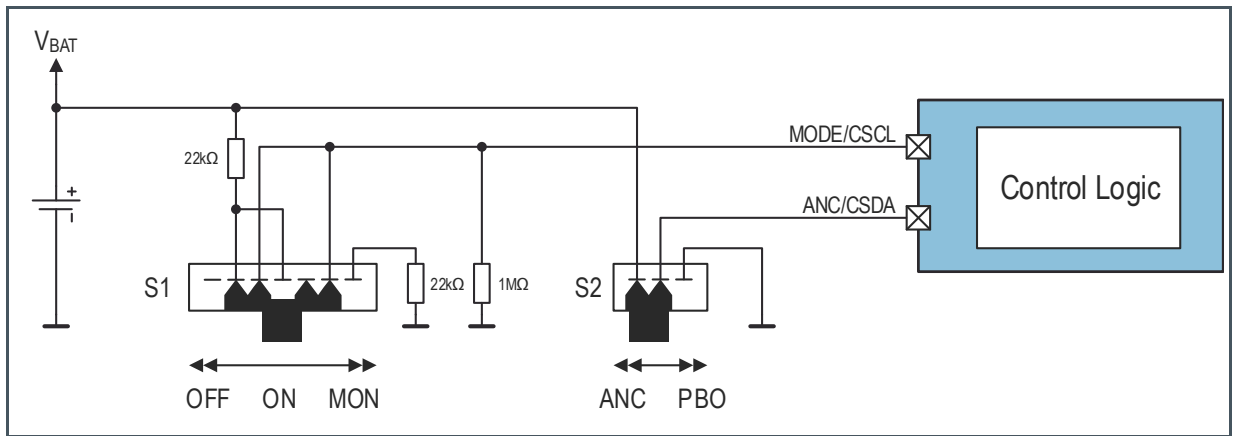
Figure 42:
User Interface Control Modes

MODE	Register UI_MODE<1:0>	
Button Mode	0	0
Slider Mode	0	1
Full Slider Mode	1	0
Do not use	1	1

6.8.1 Full Slider Mode

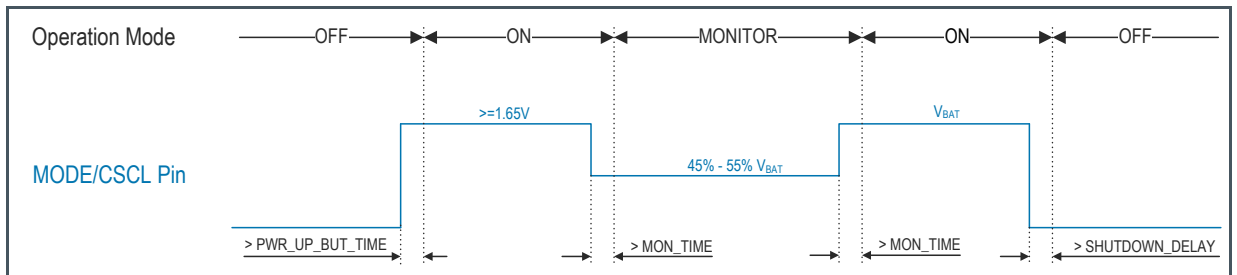
Full Slider Mode enables the AS3418 to be connected to two slide switches for Power, ANC and Monitor Mode control. To enable this operation mode register **UI_MODE** has to be set to 'd2'. The typical connection of the slide switches is shown in Figure 43.

Figure 43:
Full Slider Mode



In Full Slider Mode the MODE/CSCL pin can detect three different input levels to distinguish between the different operating modes On, Off and Monitor mode. The timing diagram with all relevant information is shown in Figure 44.

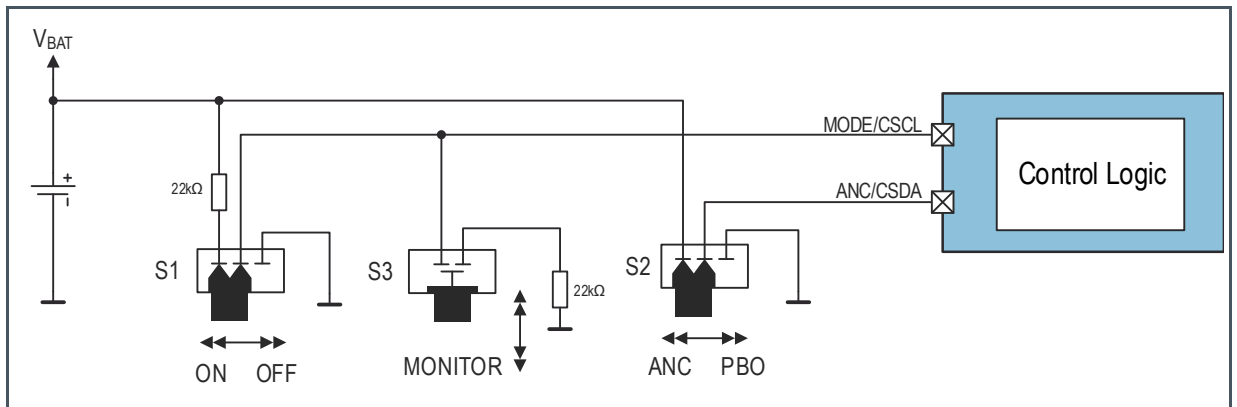
Figure 44:
Full Slider Timing Diagram



6.8.2 Slider Mode

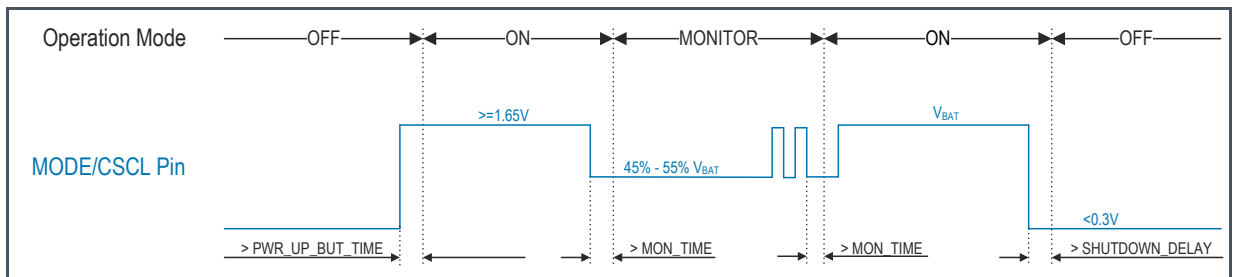
Slider Mode is similar to Full Slider Mode with the only difference that it is possible to use a push button (S3) to enable and disable the Monitor Mode. In order to enable this operation mode, register **UI_MODE** has to be set to 'd1'. The typical connection of the slide switches and push button is shown in Figure 45.

Figure 45:
Slider Mode



The advantage of this mode compared to Full Slider Mode is the automatic hold function of the Monitor Mode. Once the push button S3 is pressed, the device enters monitor mode. This mode stays active until the user pushes the button again.

Figure 46:
Slider Mode Timing Diagram



6.8.3 Push Button Mode

Push Button mode allows the user to control the device with a single normally open (NO) push button. A simple key press ($>PWR_UP_BUT_TIME$) powers up the AS3418. Once the device is running, a long key press ($>PWR_DOWN_BUT_TIME$) the device down. The device features two configuration registers ($PWR_UP_BUT_TIME$ and $PWR_DOWN_BUT_TIME$) that allows the user to re-configure the power up- and power down button press time. Monitor Mode can be activated with a second, short key press. To avoid unwanted change of operation mode it is also possible to configure the button press time (MON_TIME) to enter monitor mode. A timing diagram of this function is shown in Figure 48. If the monitor mode function is not desired, it is possible to deactivate the monitor mode by clearing the bit MON_EN in register 0x0F. The typical connection of the push button to the AS3418 is shown in Figure 47.

Figure 47:
Push Button Mode

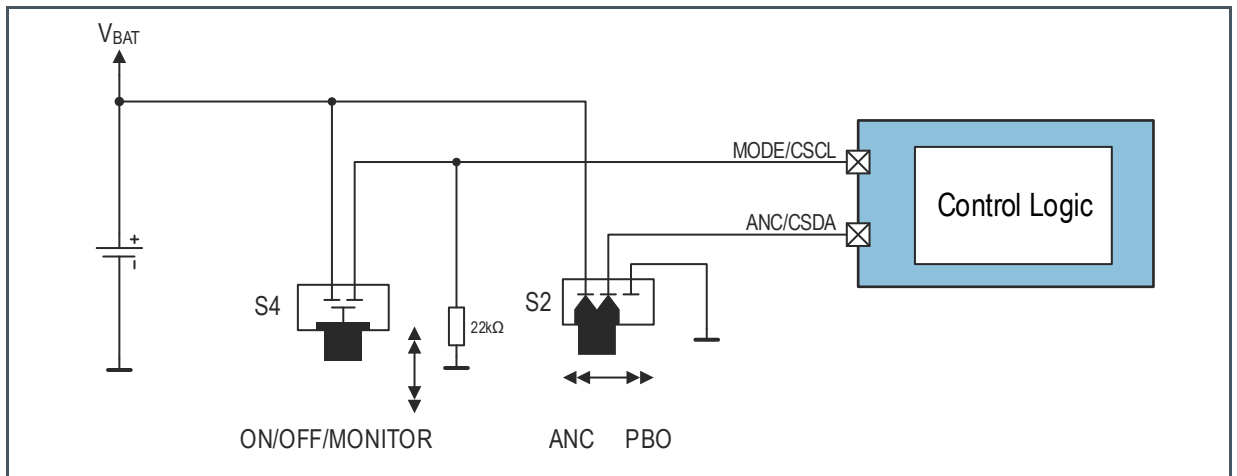
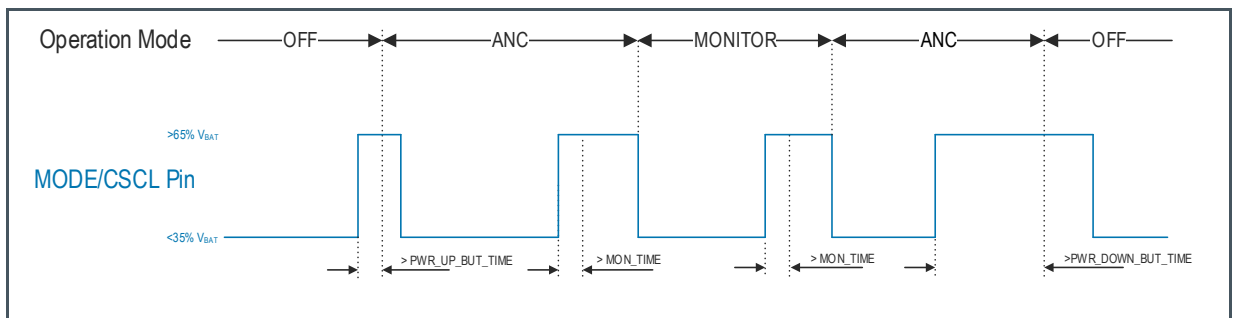


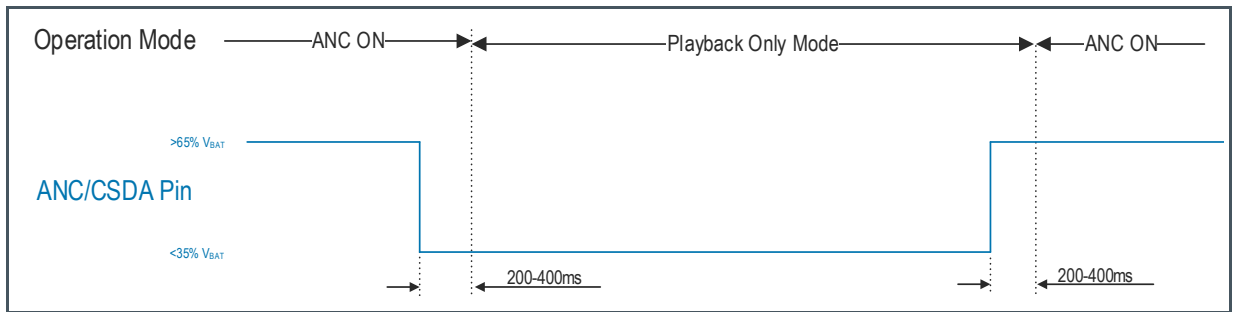
Figure 48:
Push Button Timing Diagram



6.8.4 Playback Only Mode

The active noise cancelling feature of the AS3418 can also be disabled with the ANC/CSDA pin. The ANC/CSDA pin has to be pulled high to enable the ANC function during startup (ANC MODE). If the pin is connected to ground, the chip enters playback only mode (PBO MODE) in which the ANC function can be disabled or an alternative monitor/ANC mode is configured. The functional blocks in this operation mode can be controlled in registers **PBO_MODE0** and **PBO_MODE1**. Typically only the line input amplifiers and the headphone amplifier are enabled in the playback only mode. If this function is not desired you just need to pull the pin high with an external 22kΩ resistor.

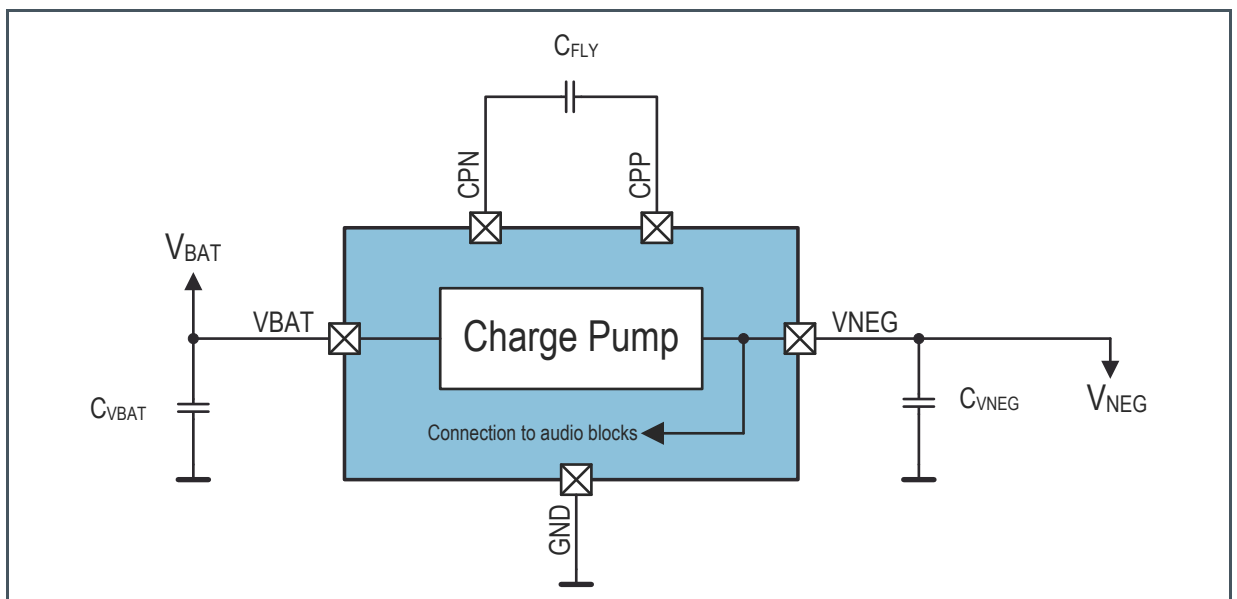
Figure 49:
Playback Only Mode Timing Diagram



6.9 V_{NEG} Charge Pump

The V_{NEG} charge pump uses one external 2.2µF ceramic capacitor (C_{FLY}) to generate a negative supply voltage out of the input voltage to supply all audio related blocks. This allows a true-ground headphone output with no need of external DC-decoupling capacitors.

Figure 50:
V_{NEG} Charge Pump



The charge pump typically requires an input capacitor C_{VBAT} with 4.7µF, an output capacitor C_{VNEG} with a capacity of typ. 10µF and a flying capacitor C_{FLY} with 2.2µF.

6.9.1 Parameter

$V_{BAT} = 1.8V$, $T_A = 25^\circ C$, unless otherwise specified.

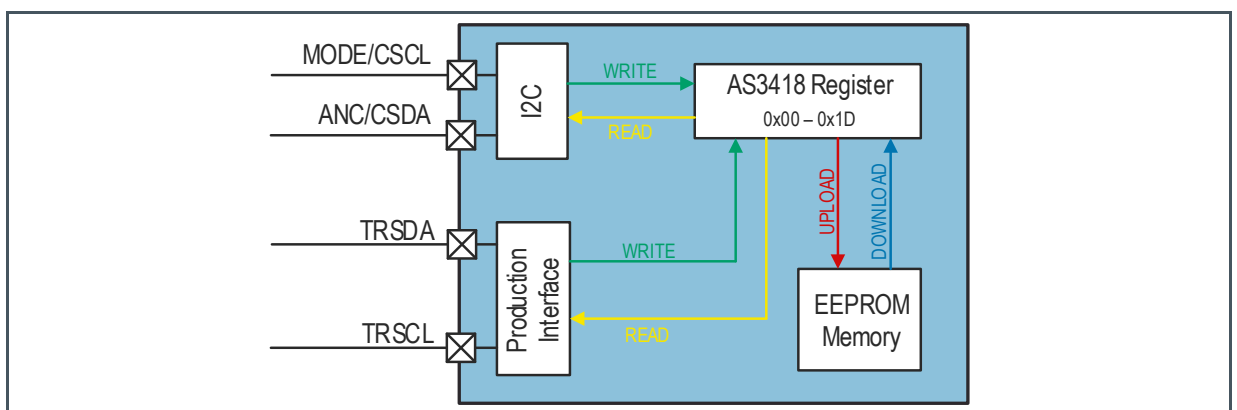
Figure 51:
 V_{NEG} Charge Pump Parameter

Symbol	Parameter	Conditions	Min	Typ	Max	Unit
V_{IN}	Input Voltage	V_{BAT}	1.4	1.6	1.8	V
V_{OUT}	Output Voltage	V_{NEG}	-1.8		-1	V
C_{VBAT}	V_{BAT} input capacitor	Effective capacitive value	1.6	4.7	5.46	μF
C_{VNEG}	V_{NEG} output capacitor	Effective capacitive value	3.4	10	12	μF
C_{FLY}	Flying capacitor	Effective capacitive value	0.97	2.2	2.86	μF

6.10 EEPROM

The AS3418 features an integrated EEPROM that stores the system configuration data like microphone gain settings and configuration of the different operation modes during power down operation mode. Because the EEPROM is not bit addressable the AS3418 has an additional register bank in parallel to the EEPROM that is loaded with the EEPROM content during startup of the device. Each time AS3418 is powered up the EEPROM content is loaded to the register bank (0x00 – 0x1D) to configure the AS3418 according to the application requirements. The registers can be accessed via the I²C interface for embedded applications and system evaluation purpose. For non-embedded systems where no MCU is in place to configure the device there are two dedicated production trimming signal lines available that allow access to the AS3418 registers and upload/download function of the EEPROM.

Figure 52:
Register Access



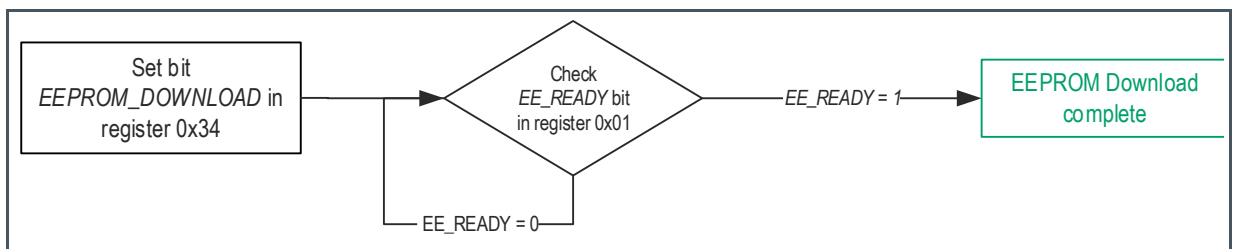
The EEPROM supports three operation modes:

- **Upload Operation** - The Upload function copies the register content of register 0x01 – 0x1D and stores it permanently to the EEPROM.
- **Download Operation** - The Download function copies the permanently stored EEPROM content to the registers of AS3418 and overwrites the existing register content with the EEPROM values like it happens during startup of the device.
- **TEST UPLOAD** - The Test Upload function is a feature to trigger a test EEPROM upload. During this test the device does not write the EEPROM settings, instead it just tries if it would be possible to write the EEPROM successfully. It is recommended to perform this test each time before a real EEPROM upload is triggered.

6.10.1 EEPROM Download Function

In order to trigger an EEPROM Download function (copy EEPROM content to AS3418 system registers) the **EEPROM_DOWNLOAD** bit has to be set in register 0x34. Once the bit is set via I²C interface or the production trimming interface the **EE_READY** bit in register 0x01 can be checked if the download of the EEPROM content is finished. As long as the **EE_READY** bit is zero the download process is ongoing. Once the bit is set the download process is completed. A flow chart of the download is shown in Figure 53.

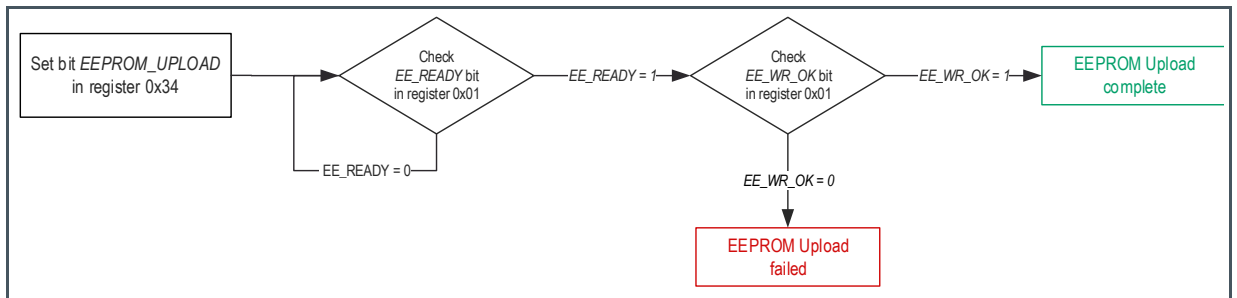
Figure 53:
EEPROM Download Flow Chart



6.10.2 EEPROM Upload Function

An EEPROM Upload function can be simply triggered by setting the **EEPROM_UPLOAD** bit in register 0x34. Once the bit is set, the **EE_READY** bit has to be monitored to check the status of the EEPROM. If the Upload function is completed the **EE_READY** bit is set and the next step in the upload sequence is to check the **EE_WR_OK** bit in the same register 0x01. If the upload process was successfully completed the bit is set to '1'. In case the upload failed the bit is set to '0'. The flow chart for the EEPROM Upload sequence is shown in Figure 54.

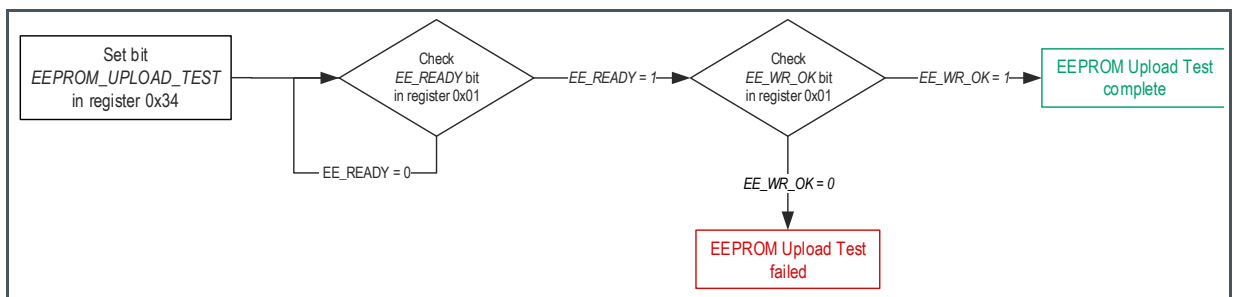
Figure 54:
EEPROM Upload Flow Chart



6.10.3 EEPROM Upload Test Function

Before an EEPROM Upload function is started it is recommended to do first an Upload Test. During this test the device does not write the EEPROM settings, instead it just tries if it would be possible to write the EEPROM successfully. It is checked if the power supply is sufficient to trigger a real EEPROM Upload.

Figure 55:
EEPROM Upload Test Function

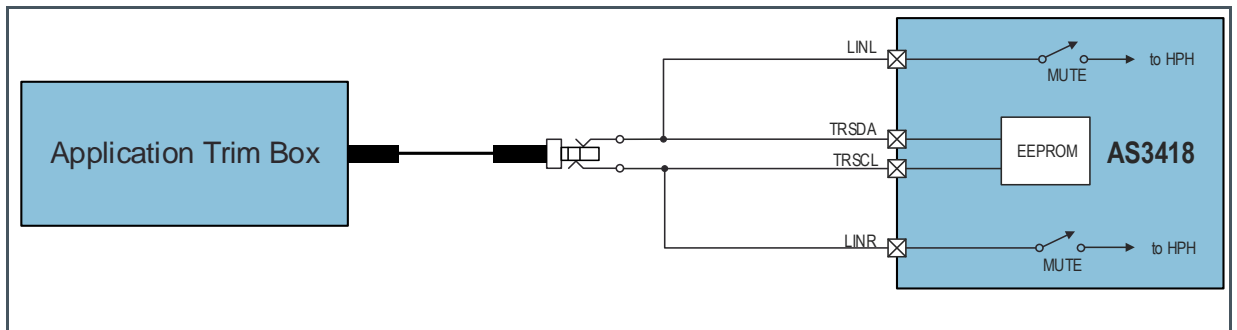


The sequence for the Upload test function is similar to the real Upload. The only difference is that the **EEPROM_UPLOAD_TEST** bit has to be set to start the upload test instead of the **EEPROM_UPLOAD** bit. The flow chart for the Upload test sequence is shown in Figure 55.

6.11 Production Trimming Interface

In addition to option programming the AS3418 via I2C interface, the AS3418 features a second unique trimming mechanism. This very special mode enables the analog music inputs of the AS3418 to become a digital production trimming input.

Figure 56:
Production Trim Box



With this new system, there is no need for mechanical potentiometers any more. Up to now, operators in production used to use screw drivers to fine tune the ANC performance of each headset. The disadvantage of this is reliability and cost of potentiometers. Additionally, operators are not always precise in their work, thus yielding inconsistent results. With the production trimming system from ams there are no mechanical potentiometers required. The operator connects a 3.5mm audio jack to a trimming box and this box enables the audio input of the headset to become the ANC tuning input. This new feature also helps industrial designers of headset because there are no more considerations concerning leakage holes for the old mechanical trimming. Thus, the headset can be fully assembled and ready for the ANC test system at the end of the manufacturing process. The trim box can be easily controlled with an USB interface so it is also possible to create fully automated trimming systems. For further details please contact our local sales office; they can provide you with source code examples and application notes.

6.12 I²C Interface

In order to configure the device using the evaluation software or a MCU the AS3418 features a serial two wire interface. The I²C address for the device can be found in Figure 57.

Figure 57:
I²C Slave Address

7 bit I2C address	8 Bit read address	8 Bit write address
0x47	0x8F	0x8E

6.12.1 Protocol

Figure 58:
I2C Serial Interface Symbol Definition

Symbol	Definition	RW	Note
S	Start condition after stop	R	1 bit
Sr	Repeated start	R	1 bit
DW	Device address for write	R	1000 1110b (8Eh)
DR	Device address for read	R	1000 1111b (8Fh)
WA	Word address	R	8 bit
A	Acknowledge	W	1 bit
N	No Acknowledge	R	1 bit
reg_data	Register data/write	R	8 bit
data (n)	Register data/read	W	8 bit
P	Stop condition	R	1 bit
WA++	Increment word address internally	R	during acknowledge
	AS3418 (=slave) transmits data		
	AS3418 (=slave) receives data		

Figure 59:
Byte Write

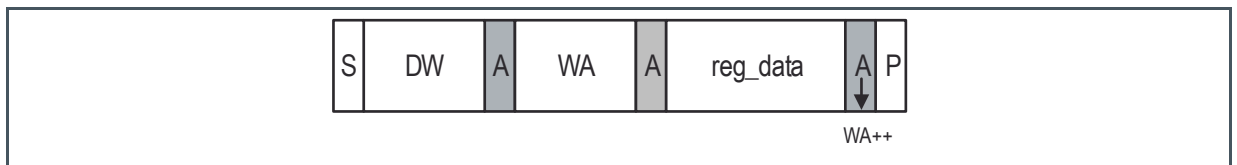
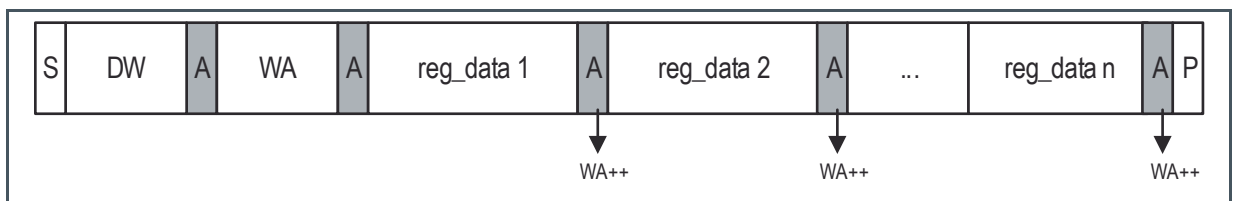


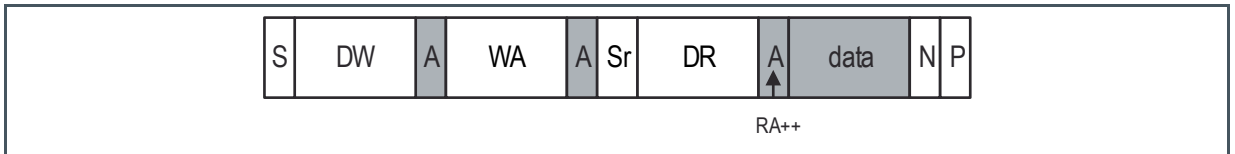
Figure 60:
Page Write



Byte Write and Page Write formats are used to write data to the slave. The transmission begins with the START condition, which is generated by the master when the bus is in IDLE state (the bus is free). The device-write address is followed by the word address. After the word address any number of data bytes can be sent to the slave. The word address is incremented internally, in order to write subsequent data bytes to subsequent address locations.

For reading data from the slave device, the master has to change the transfer direction. This can be done either with a repeated START condition followed by the device-read address, or simply with a new transmission START followed by the device-read address, when the bus is in IDLE state. The device-read address is always followed by the 1st register byte transmitted from the slave. In Read Mode any number of subsequent register bytes can be read from the slave. The word address is incremented internally.

Figure 61:
Random Read

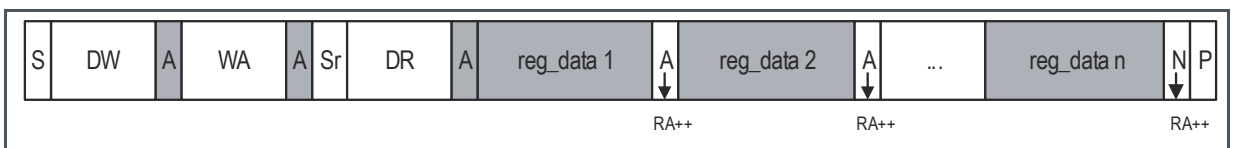


Random Read and Sequential Read are combined formats. The repeated START condition is used to change the direction after the data transfer from the master.

The word address transfer is initiated with a START condition issued by the master while the bus is idle. The START condition is followed by the device-write address and the word address.

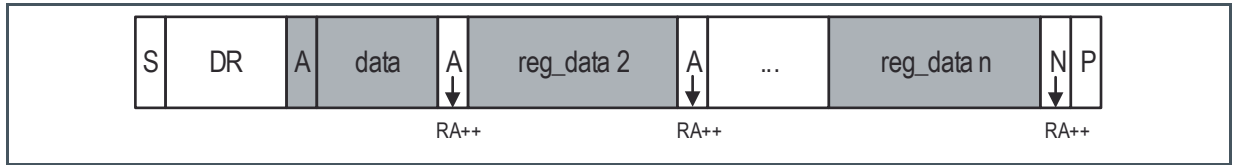
In order to change the data direction a repeated START condition is issued on the 1st SCL pulse after the acknowledge bit of the word address transfer. After the reception of the device-read address, the slave becomes the transmitter. In this state the slave transmits register data located by the previous received word address vector. The master responds to the data byte with a not-acknowledge, and issues a STOP condition on the bus.

Figure 62:
Sequential Read



Sequential Read is the extended form of Random Read, as more than one register-data bytes are transferred subsequently. Different from the Random Read, for a sequential read, the transferred register-data bytes are responded with an acknowledge from the master. The number of data bytes transferred in one sequence is unlimited (consider the behavior of the word-address counter). To terminate the transmission the master has to send a not-acknowledge following the last data byte and then generate the STOP condition.

Figure 63:
Current Address Read



To keep the access time as short as possible, this format allows a read access without the word address transfer in advance to the data transfer. The bus is idle and the master issues a START condition followed by the Device-Read address. Analogous to Random Read, a single byte transfer is terminated with a not-acknowledge after the 1st register byte. Analogous to Sequential Read an unlimited number of data bytes can be transferred, where the data bytes have to be responded with an acknowledge from the master. For termination of the transmission, the master sends a not-acknowledge following the last data byte and a subsequent STOP condition.

6.12.2 Parameter

V_{BAT} = 1.8V, T_A = 25°C, unless otherwise specified.

Figure 64:
I²C Serial Timing

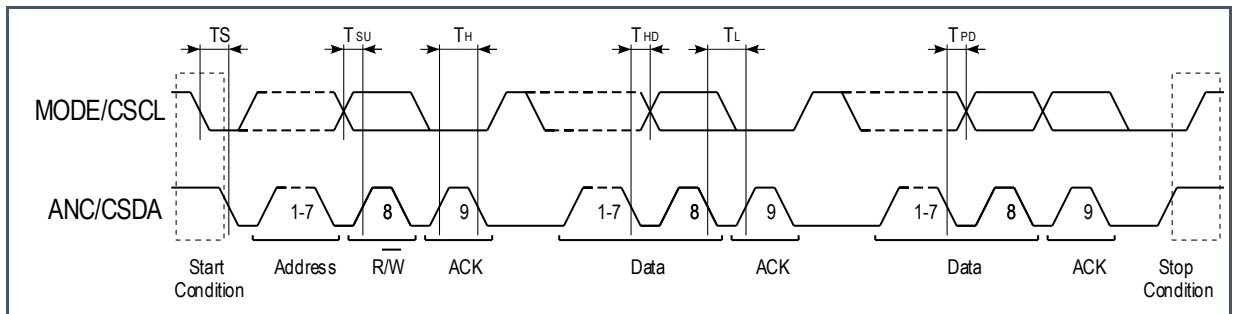


Figure 65:
I²C Serial Interface Parameter

Symbol	Parameter	Conditions	Min	Typ	Max	Unit
V _{CSL}	CSCL, CSDA Low Input Level	(max 30% V _{BAT})	0	-	0.42	V
V _{CSH}	CSCL, CSDA High Input Level	CSCL, CSDA (min 70% V _{BAT})	1.16	-		V
HYST	CSCL, CSDA Input Hysteresis			450		mV

Symbol	Parameter	Conditions	Min	Typ	Max	Unit
V _{OL}	CSDA Low Output Level	at 3mA	-	-	0.4	V
T _{sp}	Spike insensitivity		50	100	-	ns
T _H	Clock high time	max. 400kHz clock speed	500			ns
T _L	Clock low time	max. 400kHz clock speed	500			ns
T _{SU}		CSDA has to change T _{setup} before rising edge of CSCL	250	-	-	ns
T _{HD}		No hold time needed for CSDA relative to rising edge of CSCL	0	-	-	ns
T _S		CSDA H hold time relative to CSDA edge for start/stop/rep_start	200	-	-	ns
T _{PD}		CSDA prop delay relative to low going edge of CSCL		50		ns

7 Register Description

7.1 Register Overview

Figure 66:
Register Overview

Addr	Name	<D7>	<D6>	<D5>	<D4>	<D3>	<D2>	<D1>	<D0>
System Registers									
0x00	ID	DESIGN_VERSION<3:0>			CHIP_ID<3:0>				
0x01	SYSTEM_STATUS	-	-	-	EE_WR_TEST_OK	EE_READY	LOBAT	PWRUP_COMPLETE	PWR_HOLD
0x02	MODE_REG0	NO_LOBAT_OFFSET	EN_ZERO_CROSS	DELAY_HPH_MUX	UI_MODE<1:0>		MICS_DC_EN	HPH_MODE	I2C_MODE
0x03	MODE_REG1	PBO_MODE_EN	MON_MODE_EN	-	ANCMON_MIC_S_CP_BYEN	ANCMON_MIC_S_CP_ON	ANCMON_MIC_S_LDO_ON	ANCMON_MIC_ON	ANCMON_HPH_ON
0x04	MICS_VOLTAGE	MICS_LDO_CV_MODE	MICS_LDO_CD_MODE	-	-	MICS_V_SEL<3:0>			
0x05	PUSH_DELAY	-	-	PWR_DOWN_BUT_TIME<2:0>		PWR_UP_BUT_TIME<2:0>			
0x06	ON_DELAY	-	-	LDO_BOOST<2:0>				ON_DELAY<2:0>	
0x07	HIQ_MODE_REG	HIQ_ECO_PRESET<1:0>		-	-	HIQ_EN_MICS_LDO	HIQ_EN_HPH	HIQ_EN_MIC	HIQ_EN_OPAMP
0x08	LED_MON	-	-	-	MON_LED_MODE<2:0>		MON_ILED<1:0>		
0x09	LED_ANC	-	PBO_LED_MODE<1:0>		-	ANC_LED_MODE<1:0>		ANC_ILED<1:0>	
ANC Mode Control Registers									
0x0A	ANC_MODE_REG	ANC_HPH_MUX<1:0>		LIN_MUTE	-	-	-	ANC_OP1L_ON	ANC_OP1R_ON
0x0B	ANC_MIC_LEFT_GAIN	-	ANC_MIC_LEFT_GAIN<6:0>						
0x0C	ANC_MIC_RIGHT_GAIN	-	ANC_MIC_RIGHT_GAIN<6:0>						
Monitor Mode Control Registers									
0x0D	MONITOR_MODE0	MON_EN	0	MON_LIN_MUTE	MON_MIX_EN	0	0	MON_OP1L_ON	MON_OP1R_ON
0x0E	MONITOR_MODE1	-	-	MON_TIME<1:0>		-	-	MON_HPH_MUX<1:0>	

Addr	Name	<D7>	<D6>	<D5>	<D4>	<D3>	<D2>	<D1>	<D0>
0x0F	MON_MIC_LEFT_GAIN	-	MON_MIC_LEFT_GAIN<6:0>						
0x10	MON_MIC_RIGHT_GAIN	-	MON_MIC_RIGHT_GAIN<6:0>						
PBO Mode Control Registers									
0x11	PBO_MODE0	PBO_EN	-	PBO_LIN_MUTE	PBO_MIX_EN	-	-	PBO_OP1L_ON	PBO_OP1R_ON
0x12	PBO_MODE1	-	HPH_ON/DISBYPASS	PBO_MICS_CP_BY_PEN	PBO_MICS_LD_ON	PBO_MICS_CP_ON	PBO_MIC_ON	PBO_HPH_MUX<1:0>	
0x13	PBO_MIC_LEFT_GAIN	-	PBO_MIC_LEFT_GAIN<6:0>						
0x14	PBO_MIC_RIGHT_GAIN	-	PBO_MIC_RIGHT_GAIN<6:0>						
AGC Control Registers									
0x15	AGC_CONTROL0	ZERO_CROSS_EN	AGC_ATTACK_LEVEL<1:0>	AGC_RELEASE_LEVEL<1:0>	AGC_MUTE_EN	NEG_ATT_EN	AGC_EN		
0x16	AGC_ATTACK_RELEASE_TIME	AGC_RELEASE_TIME<3:0>			AGC_ATTACK_TIME<3:0>				
0x17	AGC_HOLD	ZERO_TIMEOUT<3:0>			HOLD_TIME<3:0>				
0x18	AGC_START_TIME	-	-	-	-	-	START_RAMP_TIME<2:0>		
Operation Mode Control Register									
0x1A	MODE_SWITCH_CONTROL	-	SHUTDOWN_DELAY<1:0>	-	MODE_SWITCH_DELAY<1:0>	GAIN_JUMP_UP_EN	GAIN_JUMP_DOWN_EN		
EEPROM Control Register									
0x34	EEPROM_CONTROL	-	-	-	-	-	EEPROM_UPLOAD_EST	EEPROM_UPLOAD	EEPROM_DOWNLOAD

7.2 Detailed Register Description

7.2.1 System Registers

Figure 67:
ID Register Description

Addr: 0x00		ID		
Bit	Bit Name	Default	Access	Bit Description
7:4	DESIGN_VERSION	0110	R	Design version number to identify the design version of the AS3418. 0110: Chip Version 3.0
3:0	CHIP_ID	0001	R	This register represents the chip ID number of AS3418. 0001: AS3418

Figure 68:
SYSTEM_STATUS Register Description

Addr: 0x01		SYSTEM_STATUS		
Bit	Bit Name	Default	Access	Bit Description
4	EE_WR_TEST_OK	-	R	This register reports if an EEPROM upload test was successfully finished. This bit is also used for the EEPROM-Program-Test (together with EEPROM_UPLOAD_TEST), where a “dummy-write” can be initialized to check the power-supply 0: EEPROM upload TEST failed 1: EEPROM upload TEST successful
3	EE_READY	-	R	This registers indicates the status after a read/write command of the EEPROM. 0: EEPROM busy 1: EEPROM ready
1	PWRUP_COMPLETE	1	R	This bit indicates the Power-Up sequencer status of AS3418. The signal goes high after all amplifiers are enabled but before the microphone signal is faded in. 0: Power-up sequence incomplete 1: Power-up sequence completed
0	PWR_HOLD	1	R/W	This bit allows an MCU, using the I ² C interface, to power down the AS3418. A start condition on the I ² C interface will wake up the device again. This function

Addr: 0x01		SYSTEM_STATUS		
Bit	Bit Name	Default	Access	Bit Description
				works only if the I2C_MODE bit is set. In case I2C_MODE is low, the register content is ignored. 0: Power up hold is cleared and chip powers down 1: Device remains powered on

Figure 69:
MODE_REG0 Register Description

Addr: 0x02		MODE_REG0		
Bit	Bit Name	Default	Access	Bit Description
6	EN_ZERO_CROSS	1	R/W	This bit activates zero cross detection while switching between music bypass switch and headphone amplifier. 0: Zero cross detection is disabled. 1: Zero cross detection is enabled.
5	DELAY_HPH_MUX	0	R/W	This register controls the startup delay setting before the ANC_HPH_MUX setting is applied to the system. This function can help to reduce pop noise during startup of the device especially if there are components with long charging times involved. This bit is only valid during initial startup. 0: Headphone MUX delay disabled 1: Headphone MUX delay enabled
4:3	UI_MODE	01	R/W	This register defines the user interface operation mode of AS3418. For a detailed description of the different user interface modes please refer to chapter Operation Modes. 00: Push Button Operation Mode 01: Slider Operation Mode 10: Full Slider Operation 11: Do not use
2	MICS_DC_EN	1	R/W	This bit enables the internal microphone supply discharge function if the microphone supply is switched off. The MICS_LDO pin is discharged within ~10ms. 0: MICS_LDO discharge disabled 1: MICS_LDO discharge enabled
1	HPH_MODE	0	R/W	This register controls the operation mode of the headphone amplifier. The headphone amplifier supports single ended mode and differential mode. In differential output mode the right audio signal path is the active input signal for the headphone amplifier.

Addr: 0x02		MODE_REG0		
Bit	Bit Name	Default	Access	Bit Description
0: Stereo single ended mode 1: Mono differential mode				
0	I2C_MODE	0	R/W	<p>All registers can be read and written by the I²C interface independent on the level of I2C_MODE bit but I2C_MODE controls whether the main modes of AS3418 (MON/ANC/PBO/ON/OFF) are controlled by the MON_MODE_EN, PBO_MODE_EN bits and SYSTEM_STATUS registers or by the buttons and switches. Once the bit is set and the system powers up because there's an I²C start condition applied to the CSCL and CSDA pins, the user has to write the PWR_HOLD bit within SHUTDOWN_DELAY, otherwise AS3418 powers down again.</p> <p>This can be done either over the CSDA/CSCL or over the application trimming interface.</p> <p>0: I²C mode control functions disabled 1: I²C mode control functions enabled</p>

Figure 70:
 MODE_REG1 Register Description

Addr: 0x03		MODE_REG1		
Bit	Bit Name	Default	Access	Bit Description
7	PBO_MODE_EN	0	R/W	<p>In case I2C_MODE bit is not set, the register content is ignored but can be read and written. In case I2C_MODE bit is set, this bit controls the operation mode of AS3418 (ANC, MON, PBO). In case the PBO_MODE_EN is 1, MON_MODE_EN has to be 0.</p> <p>0: ANC Mode 1: PBO Mode</p>
6	MON_MODE_EN	0	R/W	<p>In case I2C_MODE bit is not set, the register content is ignored but can be read and written. In case I2C_MODE bit is set, this bit controls the operation mode of AS3418 (ANC, MON, PBO). In case the PBO_MODE_EN is 1, MON_MODE_EN has to be 0.</p> <p>0: ANC Mode 1: MON Mode</p>
4	ANCMON_MICS_BYP_EN	0	R/W	<p>This bit enables the automatic VBAT to MICS bypass function when the microphone supply charge pump is switched off. This function has to be activated in case the microphone supply voltage regulator is supplied externally via MICS_CP pin.</p>

Addr: 0x03		MODE_REG1		
Bit	Bit Name	Default	Access	Bit Description
				0: MIC charge pump bypass function disabled 1: MIC charge pump bypass function enabled
3	ANCMON_MICS_CP_ON	1	R/W	This bit controls the microphone supply charge pump. The microphone charge pump has a second function besides the bias voltage generation for microphones. It is also used to disable the integrated music bypass switch if the AS3418 is active. In case the integrated bypass switch is used in an application this bit must not be set to '0'. 0: Microphone supply charge pump disabled 1: Microphone supply charge pump enabled WARNING: Microphone supply is also used for disabling the Bypass switch. If Microphone supply is disabled an external supply is required.
2	ANCMON_MICS_LDO_ON	1	R/W	This bit controls the microphone supply. In case this bit is set to '1' the microphone supply voltage regulator (MICS output pin) is powered up. 0: Microphone supply switched off 1: Microphone supply switched on
1	ANCMON_MICS_ON	1	R/W	This bit powers up the microphone preamplifier. 0: Microphone preamplifier disabled 1: Microphone preamplifier enabled
0	ANCMON_HP_H_ON	1	R/W	This bit allows the user to power down headphone amplifier in case it is not used in the final application in order to save system power. 0: Headphone amplifier disabled 1: Headphone amplifier enabled

Figure 71:
 MICS_VOLTAGE Register Description

Addr: 0x04		MICS_VOLTAGE		
Bit	Bit Name	Default	Access	Bit Description
7	MICS_LDO_CV_MODE	-	R	Signals if the MICS_LDO is in constant voltage mode. 1: Constant voltage mode active 0: Constant voltage mode inactive
6	MICS_LDO_CD_MODE	-	R	Signals if the microphone supply is in constant drop mode 1: Constant drop mode active 0: Constant drop mode inactive

Addr: 0x04		MICS_VOLTAGE		
Bit	Bit Name	Default	Access	Bit Description
				<p>This register controls the output voltage of the integrated microphone supply regulator.</p> <p>0000: 1.6V 0001: 1.7V 0010: 1.8V 0011: 1.9V 0100: 2.0V 0101: 2.1V 0110: 2.2V 0111: 2.3V 1000: 2.4V 1001: 2.5V 1010: 2.6V 1011: 2.7V(default) 1100: 2.8V 1101: 2.9V 1110: Do not use ... 1111: Do not use</p>
3:0	MICS_V_SEL	1011	R/W	

Figure 72:
PUSH_DELAY Register Description

Addr: 0x05		PUSH_DELAY		
Bit	Bit Name	Default	Access	Bit Description
				<p>This register controls the hold time for the push button in order to power down the AS3418. Depending on the register setting the power down push button time can be programmed accordingly. This delay is applied for button, slider and full slider mode.</p> <p>000: 5ms 001: 500ms 010: 1000ms 011: 1500ms 100: 2000ms 101: 2500ms 110: 2500ms 111: 2500ms</p>
5:3	PWR_DOWN_BUT_TIME	111	R/W	

Addr: 0x05		PUSH_DELAY		
Bit	Bit Name	Default	Access	Bit Description
2:0	PWR_UP_BUT_TIME	000	R/W	<p>This register controls the hold time for the push button in order to power up the AS3418. Depending on the register setting the power up push button time can be programmed accordingly. This delay is applied for button, slider and full slider mode.</p> <p>000: 5ms 001: 500ms 010: 1000ms 011: 1500ms 100: 2000ms 101: 2500ms 110: 2500ms 111: 2500ms</p>

Figure 73:
ON_DELAY Register Description

Addr: 0x06		ON_DELAY		
Bit	Bit Name	Default	Access	Bit Description
5:3	LDO_BOOST	001	R/W	<p>This register controls the pre-charge time of the microphone supply LDO. LDO_BOOST is effective not only during startup but also whenever the LDO is enabled after startup.</p> <p>000: 0ms 001: 150ms 010: 400ms 011: 600ms 100: 800ms 101: 1000ms 110: 1200ms 111: 1500ms</p>
2:0	ON_DELAY	000	R/W	<p>This register controls the power on delay setting. If this register is set, the device powers up but stays in a Mute mode with the integrated bypass switches deactivated to block unwanted noise at the line input.</p> <p>000: 0ms 001: 200ms 010: 400ms 011: 600ms 100: 800ms 101: 1200ms</p>

Addr: 0x06		ON_DELAY		
Bit	Bit Name	Default	Access	Bit Description
				110: 1600ms
				111: 2000ms

Figure 74:
 ECO_MODE_REG Register Description

Addr: 0x07		ECO_MODE_REG		
Bit	Bit Name	Default	Access	Bit Description
7:6	HIQ_ECO_PR ESET	00	R/W	This register allows the device to achieve best offset performance. Depending on the quality settings of headphone amplifier, microphone pre-amplifier and OP1 the correct preset from the table below has to be configured to ensure lowest offset values. 00: HPH->HIQ; MIC->HIQ; OP1->HIQ 01: HPH->HIQ; MIC->ECO; OP1->ECO 10: HPH->HIQ; MIC->HIQ; OP1->ECO 11: HPH->ECO; MIC->ECO; OP1->ECO
3	HIQ_EN_MIC S_LDO	1	R/W	This bit enables the high quality mode of the microphone LDO. 0: High quality function disabled 1: High quality function enabled
2	HIQ_EN_HPH	1	R/W	This bit enables the high quality mode of the headphone amplifier. 0: High quality function disabled 1: High quality function enabled
1	HIQ_EN_MIC	1	R/W	This bit enables the high quality mode of the microphone amplifier. 0: High quality function disabled 1: High quality function enabled
0	HIQ_EN_OPA MP	1	R/W	This bit enables the high quality mode of the operational amplifiers for ANC filter design. 0: High quality function disabled 1: High quality function enabled

Figure 75:
LED_MON Register Description

Addr: 0x08		LED_MON		
Bit	Bit Name	Default	Access	Bit Description
4:2	MON_LED_MODE	000	R/W	<p>This register controls blinking time of LED in MON mode.</p> <p>000: LED always on</p> <p>001: 80ms PWM active / 80ms off 010: 80ms PWM active / 160ms off 011: 80ms PWM active / 240ms off 100: 80ms PWM active / 320ms off 101: 80ms PWM active / 400ms off 110: 80ms PWM active / 480ms off 111: 80ms PWM active / 560ms off</p>
1:0	MON_ILED	00	R/W	<p>This register controls the integrated LED driver current sink of the AS3418 in Monitor operation mode.</p> <p>00: ILED current sink switched off</p> <p>01: 25% duty cycle (4µs on/ 14µs off) 10: 50% duty cycle (9µs on/ 9µs off) 11: 100% duty cycle (18µs on/ 0µs off)</p>

Figure 76:
LED_ANC Register Description

Addr: 0x09		LED_ANC		
Bit	Bit Name	Default	Access	Bit Description
6:5	PBO_LED_MODE	00	R/W	<p>Defines the blinking scheme if PBO mode is active. Please note that PBO mode has not an individual LED control register. Therefore this setting uses hardcoded 25% PWM duty cycle for brightness.</p> <p>00: LED always off</p> <p>01: Blinking scheme as in ANC mode 10: Blinking scheme as in MON mode 11: LED always on (=PWM always active)</p>
3:2	ANC_LED_MODE	00	R/W	<p>This register controls the different LED effects for ANC mode with various on/off times as well as different flash frequencies.</p> <p>00: LED always on</p> <p>01: 80ms on / 1s off 10: 80ms on / 1.5s off</p>

Addr: 0x09		LED_ANC		
Bit	Bit Name	Default	Access	Bit Description
11: 80ms on / 2.5s off				
This register controls the integrated LED driver current sink of the AS3418 in ANC operation mode. The typical PWM frequency is 1/18µs=55.6kHz.				
1:0	ANC_ILED	00	R/W	00: ILED current sink switched off 01: 25% duty cycle (4µs on/ 14µs off) 10: 50% duty cycle (9µs on/ 9µs off) 11: 100% duty cycle (18µs on/ 0µs off)

7.2.2 ANC Mode Control Registers

Figure 77:
ANC_MODE_REG Register Description

Addr: 0x0A		ANC_MODE_REG		
Bit	Bit Name	Default	Access	Bit Description
7:6	ANC_HPH_MUX	11	R/W	This register selects the ANC input source for the headphone amplifier in ANC mode. Depending on the register, setting different outputs are routed to the headphone amplifier input. It is also possible to disconnect all ANC input sources which is sometimes desired in monitor mode. 00: QMIC outputs are connected to HPH input 01: OP1 outputs are connected to HPH input 10: Do not use this setting 11: Nothing connected to HPH input except line input in case it is enabled.
5	LIN_MUTE	0	R/W	This bit mutes the line input signal. If the bit is set the line input signal is disconnected from the headphone amplifier in ANC operation mode. 0: Line input signal enabled 1: Line input signal muted
1	ANC_OP1L_ON	0	R/W	This register enables the left channel of OPAMP 1 in ANC operation mode. 0: Left OP1 is switched off 1: Left OP1 is switched on
0	ANC_OP1R_ON	0	R/W	This register enables the right channel of OPAMP 1 in ANC operation mode. 0: Right OP1 is switched off

Addr: 0x0A		ANC_MODE_REG		
Bit	Bit Name	Default	Access	Bit Description
1: Right OP1 is switched on				

Figure 78:
ANC_MIC_LEFT_GAIN Register Description

Addr: 0x0B		ANC_MIC_LEFT_GAIN		
Bit	Bit Name	Default	Access	Bit Description
6:0	ANC_MIC_LE FT_GAIN	101 0111	R/W	Volume settings for left microphone input, adjustable in 63 steps of 0.5dB for ANC operation mode. 000 0000: 0dB 000 0001: 0.5dB gain 000 0010: 1.0dB gain 000 0011: 1.5dB gain ... 011 1110: 31dB gain 011 1111: Do not use 101 0111: MUTE (Mute code if NEG_ATT_EN bit set) 111 1111: MUTE (Mute code if NEG_ATT_EN bit not set)

Figure 79:
ANC_MIC_RIGHT_GAIN Register Description

Addr: 0x0C		ANC_MIC_RIGHT_GAIN		
Bit	Bit Name	Default	Access	Bit Description
6:0	ANC_MIC_RI GHT_GAIN	101 0111	R/W	Volume settings for right microphone input, adjustable in 63 steps of 0.5dB for ANC operation mode. 000 0000: 0dB 000 0001: 0.5dB gain 000 0010: 1.0dB gain 000 0011: 1.5dB gain ... 011 1110: 31dB gain 011 1111: Do not use 101 0111: MUTE (Mute code if NEG_ATT_EN bit set)

Addr: 0x0C		ANC_MIC_RIGHT_GAIN		
Bit	Bit Name	Default	Access	Bit Description
111 1111: MUTE (Mute code if <i>NEG_ATT_EN</i> bit not set)				

7.2.3 Monitor Mode Control Registers

Figure 80:
MONITOR_MODE0 Register Description

Addr: 0x0D		MONITOR_MODE0		
Bit	Bit Name	Default	Access	Bit Description
7	MON_EN	1	R/W	This bit disables the monitor mode function in all operation modes. 0: Monitor mode disabled 1: Monitor mode enabled
5	MON_LIN_MUTE	1	R/W	This bit enables mute function for the line input in monitor more. 0: Line input enabled in Monitor mode 1: Line input muted in Monitor mode
1	MON_OP1L_ON	0	R/W	This register enables the left channel of OPAMP 1 in MON operation mode. 0: Left OP1 is switched off 1: Left OP1 is switched on
0	MON_OP1R_ON	0	R/W	This register enables the right channel of OPAMP 1 in MON operation mode. 0: Right OP1 is switched off 1: Right OP1 is switched on

Figure 81:
MONITOR_MODE1 Register Description

Addr: 0x0E		MONITOR_MODE1		
Bit	Bit Name	Default	Access	Bit Description
5:4	MON_TIME<1:0>	00	R/W	Time needed to press the monitor switch until monitor mode is activated. 00: 25ms 01: 200ms

Addr: 0x0E		MONITOR_MODE1		
Bit	Bit Name	Default	Access	Bit Description
				10: 400ms 11: 600ms
1:0	MON_HPH_MUX<1:0>	00	R/W	<p>This register selects the ANC input source for the headphone amplifier in Monitor mode. Depending on the register setting different outputs are routed to the headphone amplifier input. It is also possible to disconnect all ANC input sources which is sometimes desired in monitor mode.</p> <p>00: QMIC outputs are connected to HPH input 01: OP1 outputs are connected to HPH input 10: Do not use (reserved for OP2) 11: QMIC, OP1 are disconnected from HPH</p>

Figure 82:
MON_MIC_LEFT_GAIN Register Description

Addr: 0x0F		MON_MIC_LEFT_GAIN		
Bit	Bit Name	Default	Access	Bit Description
6:0	MON_MIC_LEFT_GAIN	101 0111	R/W	<p>Volume settings for left microphone input, adjustable in 63 steps of 0.5dB for Monitor operation mode.</p> <p>000 0000: 0dB 000 0001: 0.5dB gain 000 0010: 1.0dB gain 000 0011: 1.5dB gain ... 011 1110: 31dB gain 011 1111: Do not use 101 0111: MUTE (Mute code if NEG_ATT_EN bit set) 111 1111: MUTE (Mute code if NEG_ATT_EN bit not set)</p>

Figure 83:
MON_MIC_RIGHT_GAIN Register Description

Addr: 0x10		MON_MIC_RIGHT_GAIN		
Bit	Bit Name	Default	Access	Bit Description
6:0	MON_MIC_RIGHT_GAIN	101 0111	R/W	<p>Volume settings for right microphone input, adjustable in 63 steps of 0.5dB for Monitor operation mode.</p> <p>000 0000: 0dB 000 0001: 0.5dB gain 000 0010: 1.0dB gain 000 0011: 1.5dB gain ... 011 1110: 31dB gain 011 1111: do not use 101 0111: MUTE (Mute code if NEG_ATT_EN bit set) 111 1111: MUTE (Mute code if NEG_ATT_EN bit not set)</p>

7.2.4 PBO Mode Control Registers

Figure 84:
PBO_MODE0 Register Description

Addr: 0x11		PBO_MODE0		
Bit	Bit Name	Default	Access	Bit Description
7	PBO_EN	1	R/W	<p>This bit disables the Playback Only mode function in all modes. No external pull up resistor is required on ANC / CSDA pin if this bit is set to '0'.</p> <p>0: Playback only mode disabled 1: Playback only mode enabled</p>
5	PBO_LINE_MUTE	0	R/W	<p>This bit mutes the line input in Playback Only operation mode.</p> <p>0: Line input enabled 1: Line input muted</p>
1	PBO_OP1L_ON	0	R/W	<p>This register enables the left channel of OPAMP 1 in playback only mode.</p> <p>0: Left OP1 is switched off 1: Left OP1 is switched on</p>

Addr: 0x11		PBO_MODE0		
Bit	Bit Name	Default	Access	Bit Description
0	PBO_OP1R_ON	0	R/W	This register enables the right channel of OPAMP 1 in playback only mode. 0: Right OP1 is switched off 1: Right OP1 is switched on

Figure 85:
PBO_MODE1 Register Description

Addr: 0x12		PBO_MODE1		
Bit	Bit Name	Default	Access	Bit Description
6	HPH_ON/DIS_BYPASS	0	R/W	This register disables the headphone amplifier in Playback Only mode and enables the integrated music bypass switch. 0: Headphone amplifier disabled/ Bypass enabled 1: Headphone amplifier enabled
5	PBO_MICS_C P_BYP_EN	0	R/W	This bit disables the automatic charge pump bypass function if the microphone supply charge pump is in off mode. 0: Charge Pump bypass disabled 1: Charge Pump bypass enabled
4	PBO_MICS_L DO_ON	1	R/W	This bit enables the microphone LDO in Playback Only operation mode. 0: Microphone Supply voltage LDO regulator disabled 1: Microphone Supply voltage LDO regulator enabled
3	PBO_MICS_C P_ON	1	R/W	This bit controls the microphone supply charge pump. Please mind that disabling the charge pump automatically activates the integrated music bypass switch. 0: Microphone supply charge pump disabled 1: Microphone supply charge pump enabled
2	PBO_MIC_ON	0	R/W	This register controls the microphone preamplifier in Playback Only operation mode. 0: Microphone preamplifier disabled 1: Microphone preamplifier enabled
1:0	PBO_HPH_M UX	11	R/W	This register selects the input source of the headphone amplifier in Playback Only operation mode. Depending on register setting the microphone

Addr: 0x12		PBO_MODE1		
Bit	Bit Name	Default	Access	Bit Description
				<p>preamplifier or OPAMP1 can be connected to the headphone amplifier input.</p> <p>00: QMIC outputs are connected to HPH input</p> <p>01: OP1 outputs are connected to HPH input</p> <p>10: Do not use</p> <p>11: Nothing connected to HPH input except line input.</p>

Figure 86:
PBO_MIC_LEFT_GAIN Register Description

Addr: 0x13		PBO_MIC_LEFT_GAIN		
Bit	Bit Name	Default	Access	Bit Description
6:0	PBO_MIC_LEFT_GAIN	101 0111	R/W	<p>Volume settings for left microphone input, adjustable in 63 steps of 0.5dB for PBO operation mode.</p> <p>000 0000: 0dB</p> <p>000 0001: 0.5dB gain</p> <p>000 0010: 1.0dB gain</p> <p>000 0011: 1.5dB gain</p> <p>...</p> <p>011 1110: 31dB gain</p> <p>011 1111: do not use</p> <p>101 0111: MUTE (Mute code if NEG_ATT_EN bit set)</p> <p>111 1111: MUTE (Mute code if NEG_ATT_EN bit not set)</p>

Figure 87:
PBO_MIC_RIGHT_GAIN Register Description

Addr: 0x14		PBO_MIC_RIGHT_GAIN		
Bit	Bit Name	Default	Access	Bit Description
6:0	PBO_MIC_RIGHT_GAIN	101 0111	R/W	<p>Volume settings for right microphone input, adjustable in 63 steps of 0.5dB for PBO operation mode.</p> <p>000 0000: 0dB</p> <p>000 0001: 0.5dB gain</p> <p>000 0010: 1.0dB gain</p>

Addr: 0x14		PBO_MIC_RIGHT_GAIN		
Bit	Bit Name	Default	Access	Bit Description
				000 0011: 1.5dB gain
				...
				011 1110: 31dB gain
				011 1111: do not use
				101 0111: MUTE (Mute code if NEG_ATT_EN bit set)
				111 1111: MUTE (Mute code if NEG_ATT_EN bit not set)

7.2.5 AGC Control Registers

Figure 88:
AGC_CONTROL0 Register Description

Addr: 0x15		AGC_CONTROL0		
Bit	Bit Name	Default	Access	Bit Description
7	ZERO_CROSS_EN	0	R/W	This register disables the zero cross detection function of the AGC. 0: Zero cross detection disabled 1: Zero cross detection enabled
6:5	ATTACK_LEVEL	0	R/W	This register controls the attack level threshold voltage of the AGC. 00: 0.277* V_{BAT} attack level 01: 0.333* V _{BAT} attack level 10: 0.395* V _{BAT} attack level 11: 0.463* V _{BAT} attack level
4:3	RELEASE_LEVEL	00	R/W	This register controls the release level threshold voltage of the AGC. 00: 0.200* V_{BAT} release level 01: 0.250* V _{BAT} release level 10: 0.304* V _{BAT} release level 11: 0.364* V _{BAT} release level
2	AGC_MUTE_EN	0	R/W	This bit enables the mute function for the automatic gain control. 0: AGC mute function disabled 1: AGC mute function enabled

Addr: 0x15		AGC_CONTROLO		
Bit	Bit Name	Default	Access	Bit Description
1	NEG_ATTEN_EN	0	R/W	<p>This bit enables negative the negative gain option for the microphone preamplifier in case of a microphone overload condition. The gain can go down to -40dB. In case the AGC_MUTE_EN bit is not. If the AGC_MUTE_EN bit is set the preamplifier goes to -40dB and eventually mutes the output.</p> <p>0: Negative attenuation disabled 1: Negative attenuation enabled</p>
0	AGC_EN	0	R/W	<p>This bit enables/disabled the automatic gain control function of AS3418. This setting is valid for ANC, Monitor and PBO operation mode.</p> <p>0: AGC disabled 1: AGC enabled</p>

Figure 89:
AGC_ATTACK_RELEASE_TIME Register Description

Addr: 0x16		AGC_ATTACK_RELEASE_TIME		
Bit	Bit Name	Default	Access	Bit Description
7:4	AGC_RELEASE_TIME	0001	R/W	<p>This register controls the AGC release time.</p> <p>0000: 0ms 0001: 0.5ms 0010: 1ms 0011: 2ms 0100: 4ms 0101: 8ms 0110: 10ms 0111: 12ms 1000: 16ms 1001: 20ms 1010: 24ms 1011: 28ms 1100: 32ms 1101: 64ms 1110: 128ms 1111: 256ms</p>
3:0	AGC_ATTACK_TIME	0000	R/W	<p>This register controls the AGC attack time.</p> <p>0000: 0.5µs 0001: 1µs 0010: 2µs</p>

Addr: 0x16		AGC_ATTACK_RELEASE_TIME		
Bit	Bit Name	Default	Access	Bit Description
				0011: 4µs
				0100: 8µs
				0101: 12µs
				0110: 16µs
				0111: 24µs
				1000: 32µs
				1001: 64µs
				1010: 128µs
				1011: 256µs
				1100: 512µs
				1101: 1000µs
				1110: 2000µs
				1111: 4000µs

Figure 90:
AGC_HOLD Register Description

Addr: 0x17		AGC_HOLD		
Bit	Bit Name	Default	Access	Bit Description
				This register controls the timeout of the zero cross detection.
				0000: 0 (no timeout)
				0001: 20ms
				0010: 40ms
				0011: 80ms
				0100: 120ms
				0101: 160ms
7:4	ZERO_TIMEO UT	0000	R/W	0110: 240ms
				0111: 320ms
				1000: 400ms
				1001: 480ms
				1010: 560ms
				1011: 640ms
				1100: 800ms
				1101: 960ms
				1110: 1120ms
				1111: 1280ms
3:0	HOLD_TIME	0000	R/W	This register controls the AGC hold time.
				0000: 0 (no hold time)

Addr: 0x17		AGC_HOLD		
Bit	Bit Name	Default	Access	Bit Description
				0001: 20ms
				0010: 40ms
				0011: 80ms
				0100: 120ms
				0101: 160ms
				0110: 240ms
				0111: 320ms
				1000: 400ms
				1001: 480ms
				1010: 560ms
				1011: 640ms
				1100: 800ms
				1101: 960ms
				1110: 1120ms
				1111: 1280ms

Figure 91:
AGC_START_TIME Register Description

Addr: 0x18		AGC_START_TIME		
Bit	Bit Name	Default	Access	Bit Description
2:0	START_RAM P_TIME<2:0>	000	R/W	<p>This register controls the AGC gain ramp up step time only during startup of the device.</p> <p>000: 1ms/step</p> <p>001: 2ms/step</p> <p>010: 4ms/step</p> <p>011: 8ms/step</p> <p>100: 16ms/step</p> <p>101: 32ms/step</p> <p>110: 64ms/step</p> <p>111: 128ms/step</p>

7.2.6 Operation Mode Control Register

Figure 92:
MODE_SWITCH_CONTROL Register Description

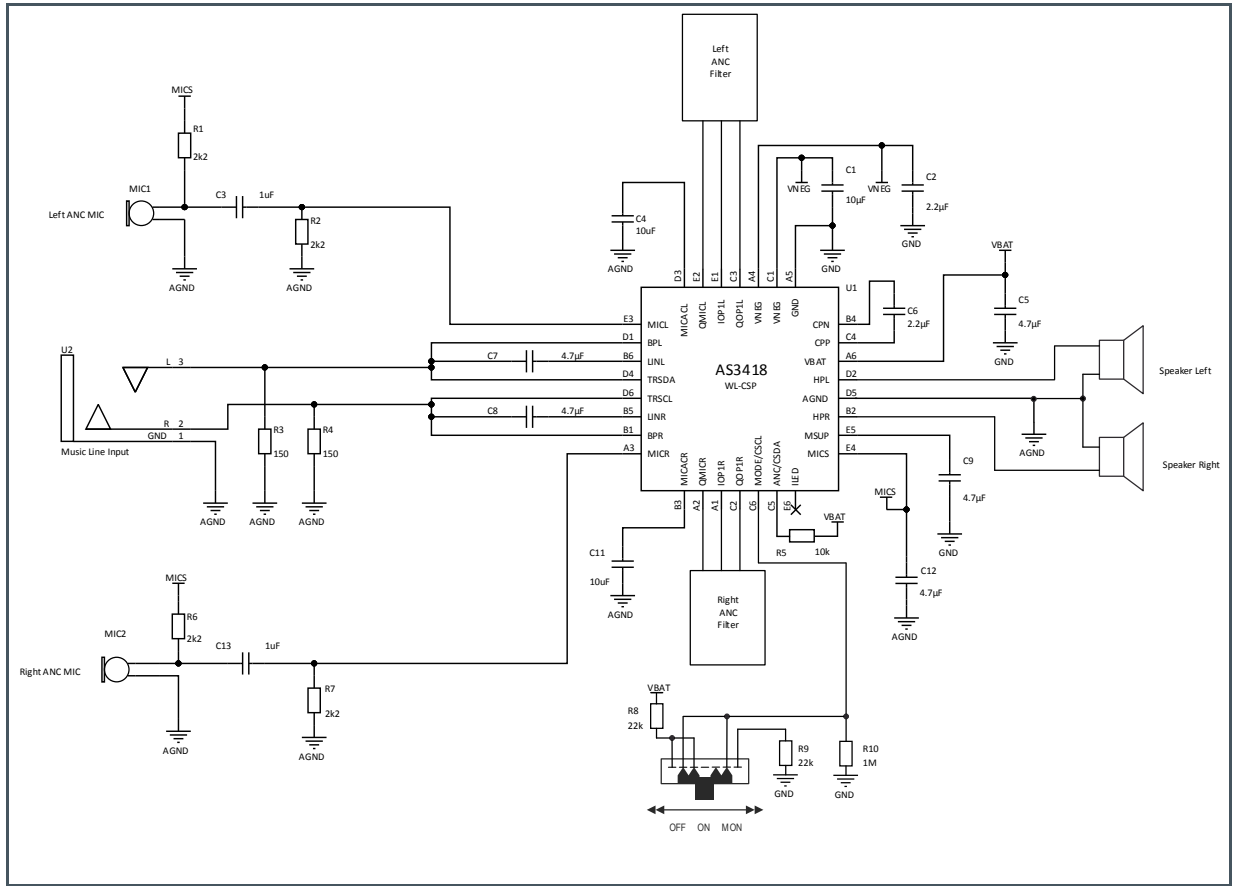
Addr: 0x1A		MODE_SWITCH_CONTROL		
Bit	Bit Name	Default	Access	Bit Description
6:5	SHUTDOWN_DELAY	00	R/W	<p>This register controls the shutdown delay function of AS3418.</p> <p>00: 10ms(default after reset)</p> <p>01: 80ms</p> <p>10: 200ms</p> <p>11: 400ms</p>
3:2	MODE_SWIT_CH_DELAY	11	R/W	<p>Defines the time switching from ANC to PBO and PBO to MONITOR operation mode. During this mode switching delay the headphone amplifier multiplexer is not connected to any source.</p> <p>00: 5ms</p> <p>01: 100ms</p> <p>10: 200ms</p> <p>11: 400ms</p>
1	GAIN_JUMP_UP_EN	0	R/W	<p>This bit is independent of AGC_EN bit. The gain after a gain register write is not immediately set but is stepped up from old to new value if it is lower than the old gain setting. Gain change will follow AGC_RELEASE_TIME register setting.</p> <p>0: Gain Jump up disabled</p> <p>1: The gain is immediately set after a gain register write if it is higher than the old gain setting</p>
0	GAIN_JUMP_DOWN_EN	0	R/W	<p>This bit is independent of AGC_EN bit. The gain after a gain register write is not immediately set but is stepped down from old to new value if it's lower than the old gain setting. Gain change will follow AGC_ATTACK_TIME register setting.</p> <p>0: Gain Jump down disabled</p> <p>1: Gain jump down enabled</p>

7.2.7 EEPROM Control Registers

Figure 93:
EEPROM_CONTROL Register Description

Addr: 0x34		EEPROM_CONTROL		
Bit	Bit Name	Default	Access	Bit Description
2	EEPROM_UPLOAD_TEST	0	R/W	<p>The register bit supports an EEPROM upload test function which simulates an EEPROM write without executing the actual write in order to check if the supply voltage is high enough for proper EEPROM programming. Once the bit is set, the test is started automatically and cleared after the test is finished. The result, if the test was positive, can be read out in register EE_WR_TEST_OK.</p> <p>0: EEPROM upload test disabled 1: EEPROM upload test started</p>
1	EEPROM_UPLOAD	0	R/W	<p>This register triggers the EEPROM upload function which copies all register content of AS3418 to the AS3418 to store it permanently to the device. Once the upload is completed the bit is cleared automatically. The success of the EEPROM upload can be read out in register EE_READY.</p> <p>0: EEPROM upload function disabled 1: EEPROM upload function started</p>
0	EEPROM_DOWNLOAD	0	R/W	<p>This register triggers the EEPROM download function which copies all EEPROM content to the AS3418 configuration registers. Once the download is completed the bit is cleared automatically. The success of the EEPROM download can be read out in register EE_READY.</p> <p>0: EEPROM upload function disabled 1: EEPROM upload function started</p>

Figure 96:
Full Slider Operation Mode – Application Example



8.2 External Components

This chapter provides detailed information about recommended external components.

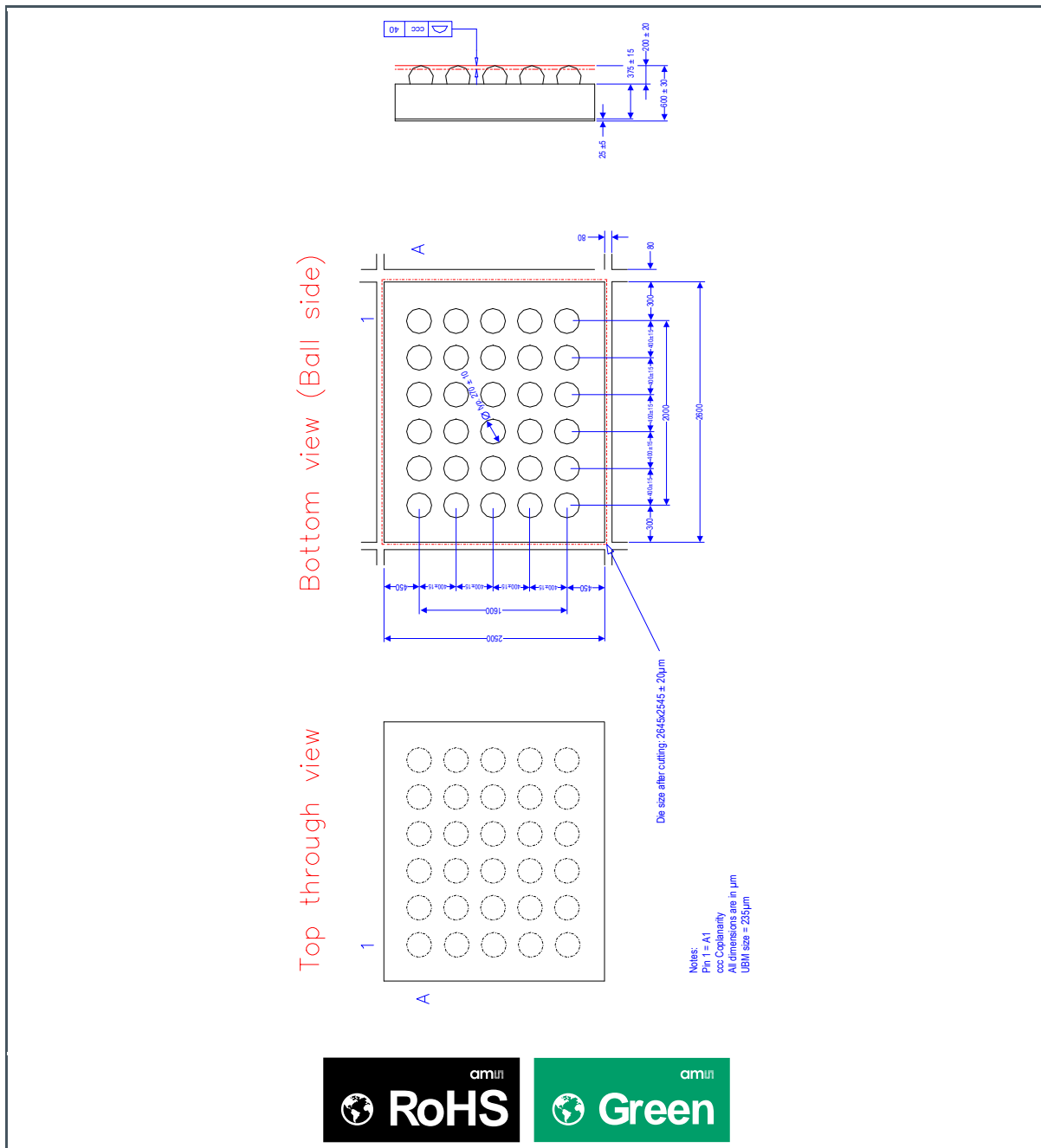
Figure 97:
Useful Caption

Symbol	Parameter	Temp. Characteristic	Min. Rated Voltage	Max. Tolerance	Min. Nominal Capacitance / Resistance	Recommended typ. Component Value
Capacitors						
C_{VBAT}	Input Capacitor	Y5R; X5R	4V	±20%	1.6μF	4.7μF
C_{FLY}	VNEG charge pump flying capacitor	Y5R; X5R	4V	±20%	0.97μF	2.2μF
C_{ACR}, C_{ACL}	AC coupling capacitor	Y5R; X5R	4V	±10%	5.6μF	10μF
C_{VNEG}	Output Capacitor	Y5R; X5R	4V	±20%	3.4μF	10μF

Symbol	Parameter	Temp. Characteristic	Min. Rated Voltage	Max. Tolerance	Min. Nominal Capacitance / Resistance	Recommended typ. Component Value
C_{MICS}	Output Capacitor microphone supply	Y5R; X5R	4V	$\pm 20\%$	0.94 μ F	4.7 μ F
C_{MSUP}	Output Capacitor microphone charge pump	Y5R; X5R		$\pm 20\%$	0.94 μ F	4.7 μ F
C_{M1CL} , C_{MICR}	AC coupling capacitor; value depends on ANC filter design	Y5R; X5R		$\pm 10\%$	-	-
C_{FILTER}	ANC filter related capacitors	Y5R; X5R		$\pm 10\%$	-	-

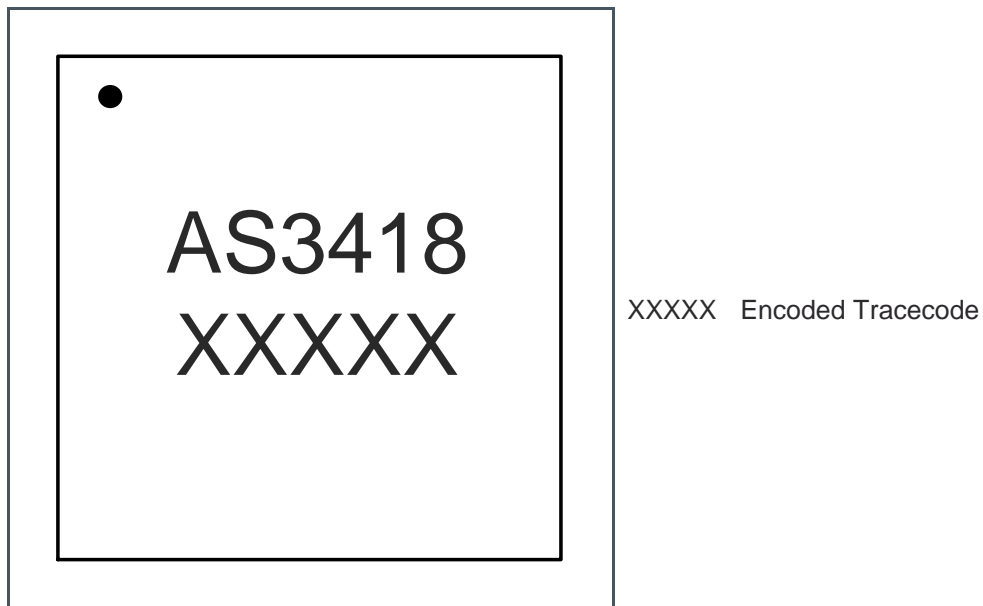
9 Package Drawings & Markings

Figure 98:
WL-CSP Package Outline Drawing



- (1) All dimensions are in μm. Angles in degrees.
- (2) Dimensioning and tolerancing conform to ASME Y14.5M-1994.
- (3) This package contains no lead (Pb).
- (4) This drawing is subject to change without notice.

Figure 99:
Package Marking/Code



10 Revision Information

Document Status	Product Status	Definition
Product Preview	Pre-Development	Information in this datasheet is based on product ideas in the planning phase of development. All specifications are design goals without any warranty and are subject to change without notice
Preliminary Datasheet	Pre-Production	Information in this datasheet is based on products in the design, validation or qualification phase of development. The performance and parameters shown in this document are preliminary without any warranty and are subject to change without notice
Datasheet	Production	Information in this datasheet is based on products in ramp-up to full production or full production which conform to specifications in accordance with the terms of ams AG standard warranty as given in the General Terms of Trade
Datasheet (discontinued)	Discontinued	Information in this datasheet is based on products which conform to specifications in accordance with the terms of ams AG standard warranty as given in the General Terms of Trade, but these products have been superseded and should not be used for new designs

Changes from previous version to current revision v4-00	Page
Figure 94 update of ball number of pin QOP1L	70
Figure 95 update of ball number of pin QOP1L	71
Figure 96 update of ball number of pin QOP1L	72

- Page and figure numbers for the previous version may differ from page and figure numbers in the current revision.
- Correction of typographical errors is not explicitly mentioned.

11 Legal Information

Copyrights & Disclaimer

Copyright ams AG, Tobelbader Strasse 30, 8141 Premstaetten, Austria-Europe. Trademarks Registered. All rights reserved. The material herein may not be reproduced, adapted, merged, translated, stored, or used without the prior written consent of the copyright owner.

Devices sold by ams AG are covered by the warranty and patent indemnification provisions appearing in its General Terms of Trade. ams AG makes no warranty, express, statutory, implied, or by description regarding the information set forth herein. ams AG reserves the right to change specifications and prices at any time and without notice. Therefore, prior to designing this product into a system, it is necessary to check with ams AG for current information. This product is intended for use in commercial applications. Applications requiring extended temperature range, unusual environmental requirements, or high reliability applications, such as military, medical life-support or life-sustaining equipment are specifically not recommended without additional processing by ams AG for each application. This product is provided by ams AG "AS IS" and any express or implied warranties, including, but not limited to the implied warranties of merchantability and fitness for a particular purpose are disclaimed.

ams AG shall not be liable to recipient or any third party for any damages, including but not limited to personal injury, property damage, loss of profits, loss of use, interruption of business or indirect, special, incidental or consequential damages, of any kind, in connection with or arising out of the furnishing, performance or use of the technical data herein. No obligation or liability to recipient or any third party shall arise or flow out of ams AG rendering of technical or other services.

RoHS Compliant & ams Green Statement

RoHS Compliant: The term RoHS compliant means that ams AG products fully comply with current RoHS directives. Our semiconductor products do not contain any chemicals for all 6 substance categories plus additional 4 substance categories (per amendment EU 2015/863), including the requirement that lead not exceed 0.1% by weight in homogeneous materials. Where designed to be soldered at high temperatures, RoHS compliant products are suitable for use in specified lead-free processes.

ams Green (RoHS compliant and no Sb/Br/Cl): ams Green defines that in addition to RoHS compliance, our products are free of Bromine (Br) and Antimony (Sb) based flame retardants (Br or Sb do not exceed 0.1% by weight in homogeneous material) and do not contain Chlorine (Cl not exceed 0.1% by weight in homogeneous material).

Important Information: The information provided in this statement represents ams AG knowledge and belief as of the date that it is provided. ams AG bases its knowledge and belief on information provided by third parties, and makes no representation or warranty as to the accuracy of such information. Efforts are underway to better integrate information from third parties. ams AG has taken and continues to take reasonable steps to provide representative and accurate information but may not have conducted destructive testing or chemical analysis on incoming materials and chemicals. ams AG and ams AG suppliers consider certain information to be proprietary, and thus CAS numbers and other limited information may not be available for release.

Headquarters

ams AG
Tobelbader Strasse 30
8141 Premstaetten
Austria, Europe
Tel: +43 (0) 3136 500 0

Please visit our website at www.ams.com

Buy our products or get free samples online at www.ams.com/Products

Technical Support is available at www.ams.com/Technical-Support

Provide feedback about this document at www.ams.com/Document-Feedback

For sales offices, distributors and representatives go to www.ams.com/Contact

For further information and requests, e-mail us at ams_sales@ams.com