

Product Document

TMD3721

ALS/Color and Proximity Sensor Module for Behind OLED Applications

General Description

The TMD3721 features ambient light, color (RGB) sensing and proximity detection. The device integrates an IR VCSEL and an advanced VCSEL driver within a compact 4.65mm x 1.86mm x 0.90mm OLGA package.

The ambient light and color sensing function provides four concurrent ambient light sensing channels: Red, Green, Blue, and Clear. The RGB and Clear channels are covered with an UV/IR blocking filter. This architecture accurately measures ambient light and enables the calculation of illuminance and color temperature to manage display appearance.

The proximity function synchronizes IR emission and detection to sense nearby objects. The architecture of the engine features self-maximizing dynamic range, ambient light subtraction, advanced crosstalk cancellation, and interrupt-driven I²C communication. Sensitivity, power consumption, and noise can be optimized with adjustable IR VCSEL timing and power. The proximity engine recognizes detect/release events and produces a configurable interrupt whenever the proximity result crosses upper or lower threshold settings.

Key Benefits & Features

The benefits and features of TMD3721 are listed below:

Figure 1:
Added Value of Using TMD3721

Benefits	Features
<ul style="list-style-type: none"> Proximity detection behind OLED displays 	<ul style="list-style-type: none"> Integrated factory calibrated 940nm IR VCSEL Display synchronization with highly programmable Proximity Start Delay (PSD) Crosstalk and ambient light cancellation Optimized sensitivity and noise level Wide configuration range
<ul style="list-style-type: none"> Ambient light sensing behind OLED displays 	<ul style="list-style-type: none"> Red, green, blue and clear ALS channels with improved sensitivity Highly programmable gain and integration time Display synchronization with highly programmable ALS Start Delay (ASD) 737kHz ALS clock rate 1KB FIFO

Benefits	Features
<ul style="list-style-type: none"> • Low power consumption 	<ul style="list-style-type: none"> • 1.8V power supply with 1.8V I²C bus • Configurable sleep mode • Interrupt driven device
<ul style="list-style-type: none"> • Integrated status checking for all functions 	<ul style="list-style-type: none"> • Proximity saturation flag • Digital and analog ALS saturation flags • VSYNC status check

Applications

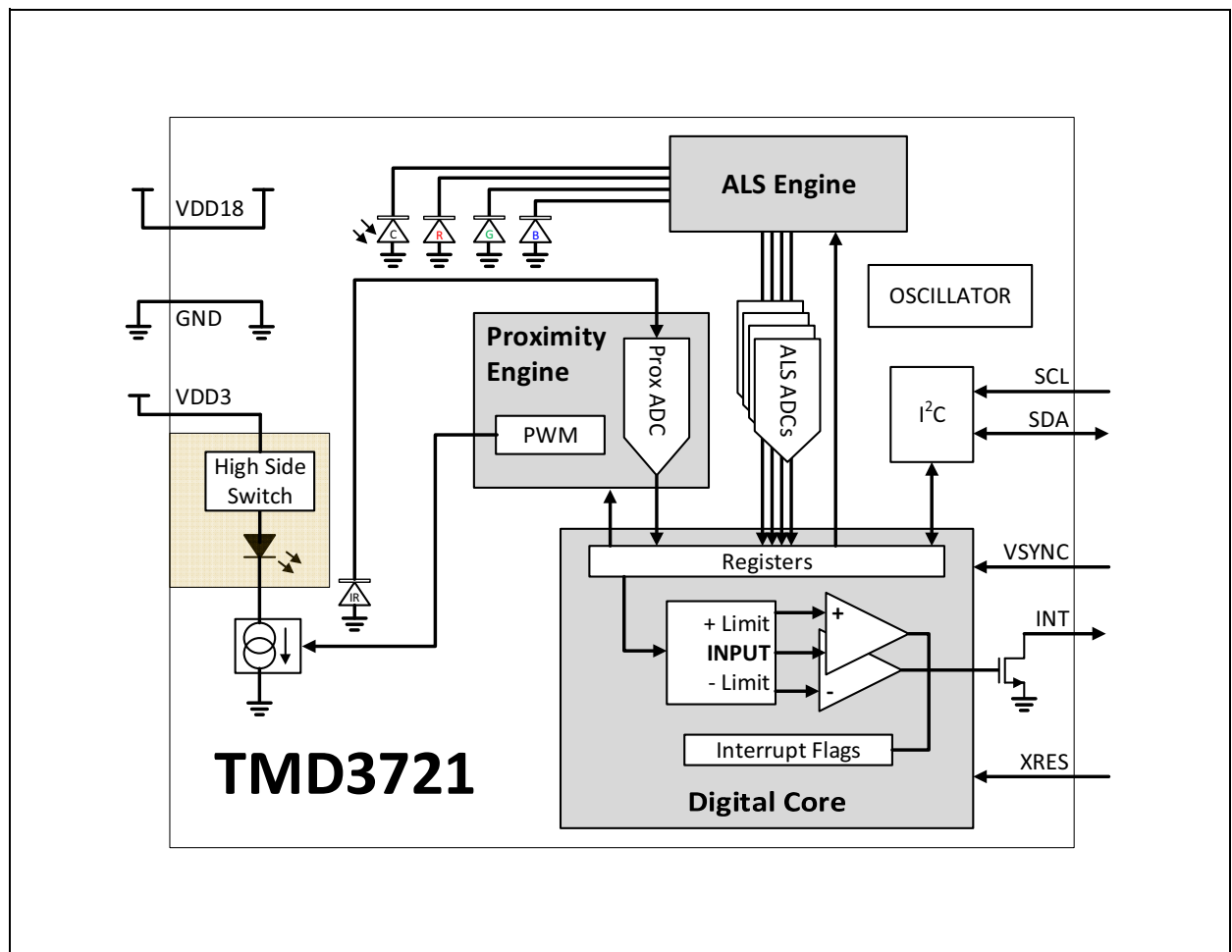
The TMD3721 applications include:

- Brightness management for displays
- Color management for displays
- Proximity detection for mobile phones

Block Diagram

The functional blocks of this device are shown below:

Figure 2:
Functional Blocks of TMD3721



Pin Assignments

Figure 3:
Pin Diagram

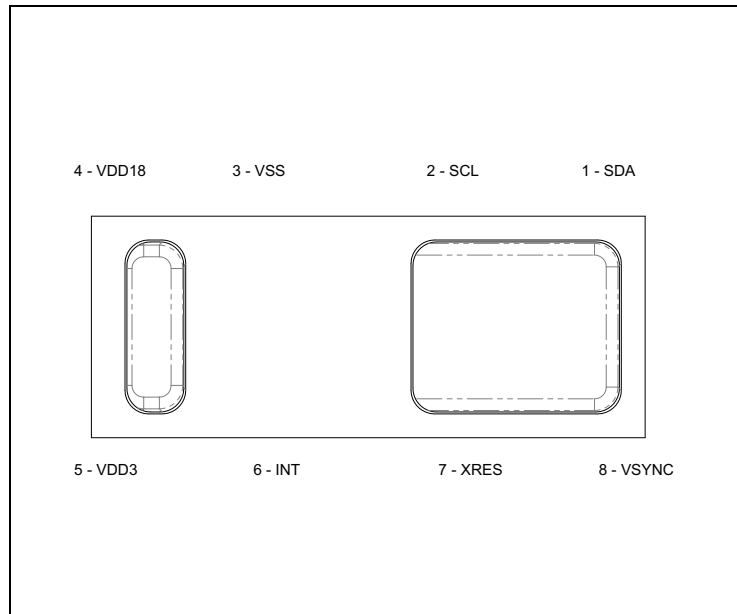


Figure 4:
Pin Description of TMD3721

Pin No.	Pin Name	Description	If Not Use
1	SDA	I ² C serial data I/O terminal	Mandatory
2	SCL	I ² C serial clock input terminal	Mandatory
3	VSS	Ground. All voltages are referenced to VSS	Mandatory
4	VDD18	Supply voltage for sensor (1.8V)	Mandatory
5	VDD3	Supply voltage for IR emitter (3.0/3.3V)	Connect to VDD18
6	INT	Interrupt. Open drain output (active low)	Connect to GND
7	XRES	Hardware reset or PWM input. Need to enable in the register.	Connect to GND
8	VSYNC	VSYNC input	Connect to GND

Ordering & Contact Information

Figure 5:
Ordering Information

Ordering Code	I ² C Bus	I ² C Address	Delivery Form	Delivery Quantity
TMD37213	1.8V	0x39	Tape & Reel (13")	10000 pcs/reel
TMD37213M	1.8V	0x39	Tape & Reel (7")	2500 pcs/reel

Buy our products or get free samples online at:

www.ams.com/Products

Technical Support is available at:

www.ams.com/Technical-Support

Provide feedback about this document at:

www.ams.com/Document-Feedback

For further information and requests, e-mail us at:

ams_sales@ams.com

For sales offices, distributors and representatives, please visit:

www.ams.com/Contact

Headquarters

ams-OSRAM AG

Tobelbader Strasse 30

8141 Premstaetten

Austria, Europe

Tel: +43 (0) 3136 500 0

Website: www.ams.com

RoHS Compliant & ams Green Statement

RoHS: The term RoHS compliant means that ams-OSRAM AG products fully comply with current RoHS directives. Our semiconductor products do not contain any chemicals for all 6 substance categories plus additional 4 substance categories (per amendment EU 2015/863), including the requirement that lead not exceed 0.1% by weight in homogeneous materials. Where designed to be soldered at high temperatures, RoHS compliant products are suitable for use in specified lead-free processes.

ams Green (RoHS compliant and no Sb/Br/Cl): ams Green defines that in addition to RoHS compliance, our products are free of Bromine (Br) and Antimony (Sb) based flame retardants (Br or Sb do not exceed 0.1% by weight in homogeneous material) and do not contain Chlorine (Cl not exceed 0.1% by weight in homogeneous material).

Important Information: The information provided in this statement represents ams-OSRAM AG knowledge and belief as of the date that it is provided. ams-OSRAM AG bases its knowledge and belief on information provided by third parties, and makes no representation or warranty as to the accuracy of such information. Efforts are underway to better integrate information from third parties. ams-OSRAM AG has taken and continues to take reasonable steps to provide representative and accurate information but may not have conducted destructive testing or chemical analysis on incoming materials and chemicals. ams-OSRAM AG and ams-OSRAM AG suppliers consider certain information to be proprietary, and thus CAS numbers and other limited information may not be available for release.

Copyrights & Disclaimer

Copyright ams-OSRAM AG, Tobelbader Strasse 30, 8141 Premstaetten, Austria-Europe. Trademarks Registered. All rights reserved. The material herein may not be reproduced, adapted, merged, translated, stored, or used without the prior written consent of the copyright owner.

Devices sold by ams-OSRAM AG are covered by the warranty and patent indemnification provisions appearing in its General Terms of Trade. ams-OSRAM AG makes no warranty, express, statutory, implied, or by description regarding the information set forth herein. ams-OSRAM AG reserves the right to change specifications and prices at any time and without notice. Therefore, prior to designing this product into a system, it is necessary to check with ams-OSRAM AG for current information. This product is intended for use in commercial applications. Applications requiring extended temperature range, unusual environmental requirements, or high reliability applications, such as military, medical life-support or life-sustaining equipment are specifically not recommended without additional processing by ams-OSRAM AG for each application. This product is provided by ams-OSRAM AG "AS IS" and any express or implied warranties, including, but not limited to the implied warranties of merchantability and fitness for a particular purpose are disclaimed.

ams-OSRAM AG shall not be liable to recipient or any third party for any damages, including but not limited to personal injury, property damage, loss of profits, loss of use, interruption of business or indirect, special, incidental or consequential damages, of any kind, in connection with or arising out of the furnishing, performance or use of the technical data herein. No obligation or liability to recipient or any third party shall arise or flow out of ams-OSRAM AG rendering of technical or other services.

Revision Information

This short datasheet is derived from v2-00 of full datasheet.