



Product Brief

PB000132

TMD2755

ALS + Proximity Sensor Module

1 General Description

The TMD2755 features proximity detection and digital ambient light sensing (ALS). The extremely narrow 1.1mm module incorporates an IR VCSEL and factory calibrated VCSEL driver. The proximity detection feature provides object detection (e.g. mobile device screen to user's ear) by photodiode detection of reflected IR energy (sourced by the integrated VCSEL). Detect/release events are interrupt driven, and occur when proximity result crosses upper and/or lower threshold settings. The proximity engine features a wide range offset adjustment to compensate for unwanted IR energy reflection at the sensor. Proximity results are further improved by automatic ambient light subtraction. The ALS and IR photodiodes have dedicated data converters producing 16-bit data. This architecture allows applications to accurately measure ambient light which enables devices to calculate illuminance to control display backlight.

2 Key Features

Figure 1:
Added Value of Using TMD2755

Benefits	Features
Optimized for narrow bezel mobile phones	Small narrow 1.1mm x 3.25mm x 0.60mm module
Reduced power consumption	<ul style="list-style-type: none">• 1.8V power supply with 1.8V I²C bus• Sleep mode (0.7μA)• VCSEL IR emitter
Enabled superior proximity detection	<ul style="list-style-type: none">• Integrated factory calibrated 940nm IR VCSEL• Crosstalk and ambient light cancellation• Wide configuration range

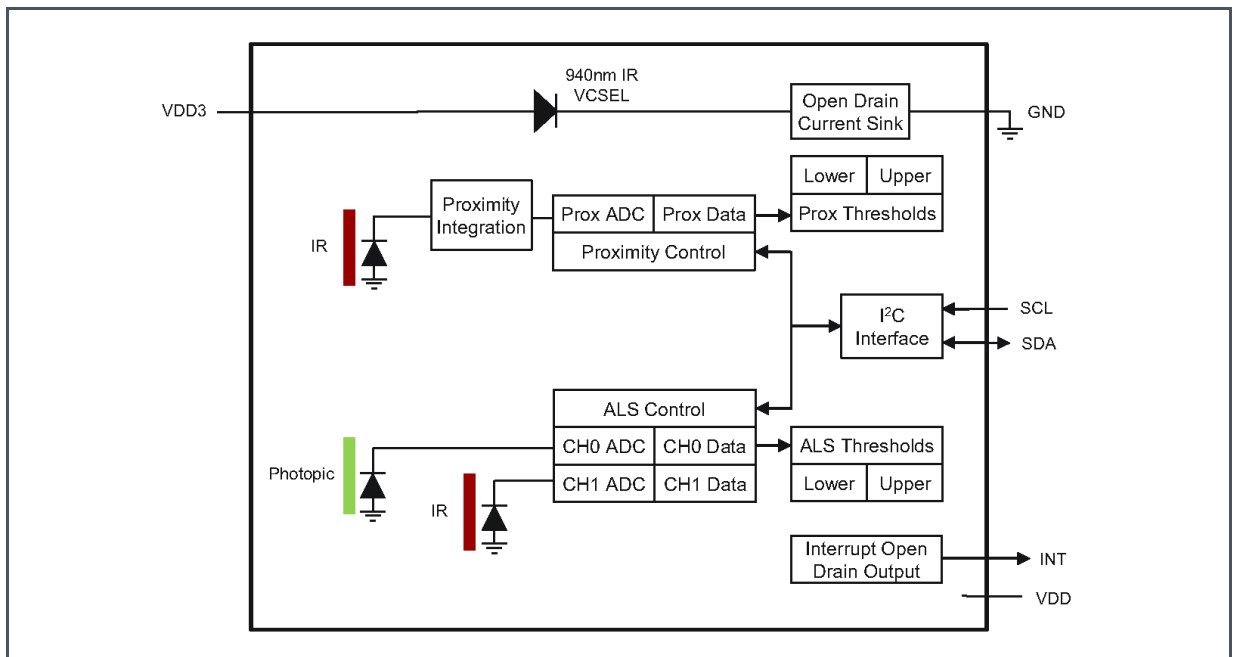
Benefits	Features
Accurate ambient light sensing	<ul style="list-style-type: none"> • High sensitivity • 2 channels (photopic ALS + IR) • Programmable gain and integration time
Industrial design flexibility	Offset emitter/detector package design

3 Applications

- Mobile phone display management
- Mobile phone user proximity detection

4 Block Diagram

Figure 2:
Functional Blocks of TMD2755



Headquarters

ams AG
Tobelbader Strasse 30
8141 Premstaetten
Austria, Europe
Tel: +43 (0) 3136 500 0

Please visit our website at www.ams.com

Buy our products or get free samples online at www.ams.com/Products

Technical Support is available at www.ams.com/Technical-Support

Provide feedback about this document at www.ams.com/Document-Feedback

For sales offices, distributors and representatives go to www.ams.com/Contact

For further information and requests, e-mail us at ams_sales@ams.com

Copyright ams AG. Trademarks Registered. All rights reserved. The material herein may not be reproduced, adapted, merged, translated, stored, or used without the prior written consent of the copyright owner.