



**Application Note**

# CCS811

## Downloading new Application Firmware



**Content Guide**

- 1 Introduction ..... 3
- 2 Bootloader Mode..... 4
- 3 Firmware Download ..... 4
- 3.1 Erase ..... 5
- 3.2 Program ..... 5
- 3.3 Verify ..... 6
- 3.4 Pseudo-Code Example ..... 7
- 4 References..... 8
- 5 Contact Information..... 8
- 6 Copyrights & Disclaimer..... 9
- 7 Revision Information ..... 10

## 1 Introduction

This application note details the method of reprogramming the CCS811 device with a new Application code binary file over the I<sup>2</sup>C interface.

It assumes that the I<sup>2</sup>C communication protocol, as described in application note AN000369 has been implemented (including control of the nWAKE signal).

If a new Application code binary file is available the decision to upgrade may be made by:

1. Reviewing the changes documented in the appropriate release note
2. Checking there are no restrictions associated with the new Application code binary file, such as HW version or Bootloader Firmware version.

If not known the CCS811 Hardware version or Bootloader Firmware version should be checked before attempting to download a new Application code binary file

- The HW Version is stored at register 0x21.
- The FW Boot Version is stored at Register 0x23.

## 2 Bootloader Mode

The CCS811 must be in Bootloader mode to download a new Application code binary file. When a CCS811 device is reset it automatically starts in Bootloader Mode. A reset could be initiated by:

- Powering on the CCS811
- Asserting pin nRESET low for at least 20µs and then reasserting high
- Writing the command for a Software Reset

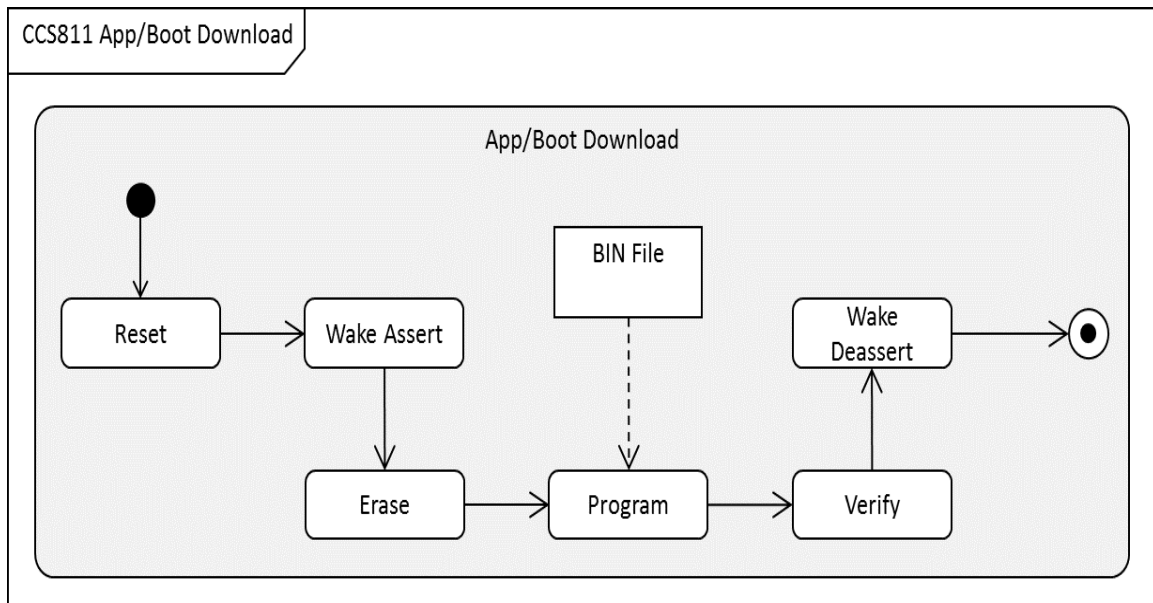
Validating that the CCS811 is in Bootloader Mode can be done by reading bit 7 of the STATUS Register (0x00). In Bootloader mode bit 7 is '0', in Application Mode bit 7 is '1'.

To assert SW\_RESET a sequence of four bytes must be written to register 0xFF in a single I<sup>2</sup>C sequence: 0x11, 0xE5, 0x72, 0x8A.

## 3 Firmware Download

The flow of commands and actions required for a CCS811 Application code binary file download is illustrated in **Figure 1**

**Figure 1: CCS811 Application/Boot Code Download Activity Diagram**



The BIN file contains the CCS811 application code binary. This is in a proprietary format and the contents cannot be modified by the user.

### 3.1 Erase

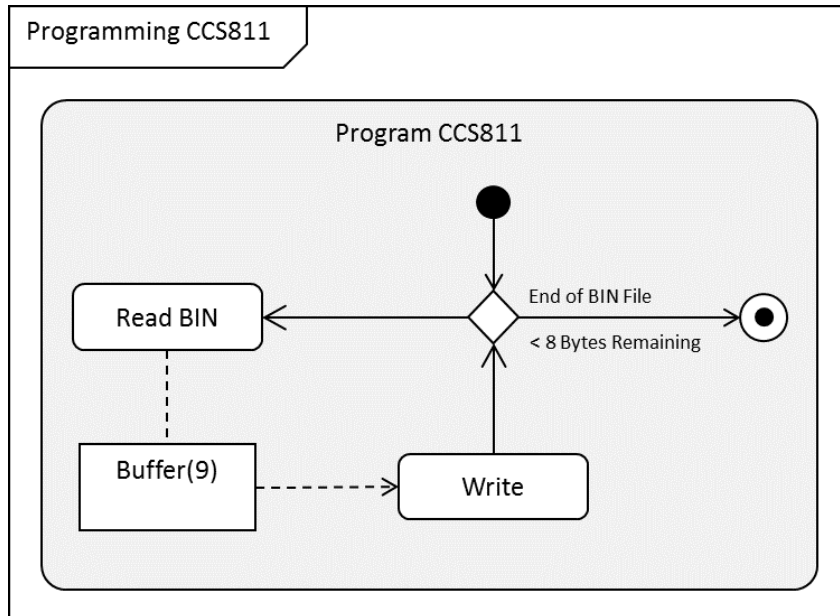
To erase the CCS811 application code, send the following I2C byte sequences to the ERASE Register (0xF1) of the CCS811: 0xE7, 0xA7, 0xE6, 0x09. This four byte sequence is required (to prevent accidental erase operations).

The APP\_VALID bit [4] of the STATUS Register (0x00) will be cleared by the CCS811 after issuing and successfully processing the above command. After issuing the ERASE command the application software must wait 300ms before issuing any transactions to the CCS811 over the I<sup>2</sup>C interface.

### 3.2 Program

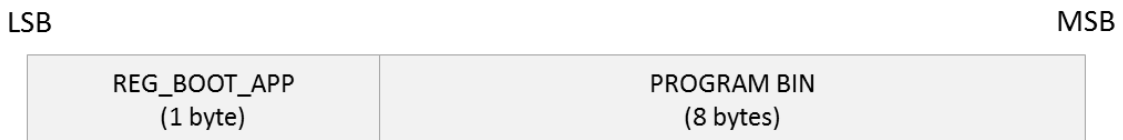
The process of writing bytes extracted from a BIN file to the CCS811 is illustrated in **Figure 2**

**Figure 2: CCS811 Programming Activity Diagram**



The application binary code length is in multiple of 8 bytes. For every 8 bytes of program code read from the BIN file, the following 9 bytes I<sup>2</sup>C data payload is constructed, where REG\_BOOT\_APP is the command to Write Data to FLASH (0xF2):

**Figure 3: CCS811 Program Write Payload**



This I<sup>2</sup>C payload is then sent to the CCS811 as a single sequence (effectively writing the 8 bytes to Register REG\_BOOT\_APP (0xF2). The process is repeated until all program code has been read from the source BIN file and sent to the CCS811.

### 3.3 Verify

To verify the program code has been received error free by the CCS811 device, the host can send the VERIFY command by doing a single byte write of 0xF3.

The APP\_VALID bit [4] and APP\_VERIFY bit [5] of the STATUS Register (0x00) will be set by the CCS811 if the VERIFY operation was successful. After issuing the VERIFY command the application software **must** wait at least 70ms before issuing any transactions to the CCS811 over the I2C interface.

### 3.4 Pseudo-Code Example

The following pseudo-code example code illustrates the overall programming flow for performing an application code binary file download on CCS811:

---

```

const byte REG_BOOT_APP = 0xF2;
const byte[] CCS811_REG_STATUS = { 0x00 };
const byte[] CCS811_ERASE = { 0xF1, 0xE7, 0xA7, 0xE6, 0x09 };
const byte[] CCS811_VERIFY = { 0xF3 };
byte status = 0;

// Pulse Reset Pin
WriteLatch(device, 0x00, CCS811_RESET_PIN); Sleep(100);
WriteLatch(device, 0xFF, CCS811_RESET_PIN); Sleep(100);

// Set WAKE low
WriteLatch(device, 0x00, CCS811_WAKE_PIN); Sleep(100);

// Erase application
writeBus(device, CCS811_ERASE, 5); Sleep(500);

// Read file in 8-byte chunks until the end is reached, and send each
to the board
uint length = ProgramBinFile.Length;
byte *s = ProgramBinFile.ReadBytes();
byte payload[9];
payload[0] = REG_BOOT_APP;

for (int i = 0; i < length; i+=8){
    for (int j = 0; j < 8; j++){
        {
            payload[j + 1] = *(s + (i * 8) + j);
        }
        writeBus(device, payload, 9); Sleep(50);
    }
}

// Verify application
writeBus(device, CCS811_VERIFY, 1); Sleep(500);
writeBus(device, CCS811_REG_STATUS, 1);
readBus(device, &status, 1);
if ((status & 0x30) == 0x30){
    // program code valid
}
else{
    // program code invalid
}

```

---

## 4 References

Document Reference	Description
CCS811_DS_000459	CCS811 Datasheet
CCS811_AN000369	CCS811 Programming and Interfacing guide application note

## 5 Contact Information

**Technical Support is available at:**

[www.ams.com/Technical-Support](http://www.ams.com/Technical-Support)

**Provide feedback about this document at:**

[www.ams.com/Document-Feedback](http://www.ams.com/Document-Feedback)

**For further information and requests, e-mail us at:**

[ams\\_sales@ams.com](mailto:ams_sales@ams.com)

**For sales offices, distributors and representatives, please visit:**

[www.ams.com/contact](http://www.ams.com/contact)

### Headquarters

ams AG

Tobelbader Strasse 30

8141 Premstaetten

Austria, Europe

Tel: +43 (0) 3136 500 0

Website: [www.ams.com](http://www.ams.com)



## 6 Copyrights & Disclaimer

Copyright ams AG, Tobelbader Strasse 30, 8141 Premstaetten, Austria-Europe. Trademarks Registered. All rights reserved. The material herein may not be reproduced, adapted, merged, translated, stored, or used without the prior written consent of the copyright owner.

Information in this document is believed to be accurate and reliable. However, ams AG does not give any representations or warranties, expressed or implied, as to the accuracy or completeness of such information and shall have no liability for the consequences of use of such information.

Applications that are described herein are for illustrative purposes only. ams AG makes no representation or warranty that such applications will be appropriate for the specified use without further testing or modification. ams AG takes no responsibility for the design, operation and testing of the applications and end-products as well as assistance with the applications or end-product designs when using ams AG products. ams AG is not liable for the suitability and fit of ams AG products in applications and end-products planned.

ams AG shall not be liable to recipient or any third party for any damages, including but not limited to personal injury, property damage, loss of profits, loss of use, interruption of business or indirect, special, incidental or consequential damages, of any kind, in connection with or arising out of the furnishing, performance or use of the technical data or applications described herein. No obligation or liability to recipient or any third party shall arise or flow out of ams AG rendering of technical or other services.

ams AG reserves the right to change information in this document at any time and without notice.

## 7 Revision Information

Changes from previous version to current revision 2-00 (2017-Nov-27)	Page
Initial Cambridge CMOS Sensors version 1-00	
Latest version 2-00 with ams template and updated pseudo code	all

**Note:** Page numbers for the previous version may differ from page numbers in the current revision.  
Correction of typographical errors is not explicitly mentioned.