

1

2

3

4

A

A

B

B

C

C

D

D



AS726x i-SPI

1

2

3

4

AS726x i-SPI



Table of Content

- Sheet 1: Title Page
- Sheet 2: Project Page (This page)
- Sheet 3: AS726x Schematic

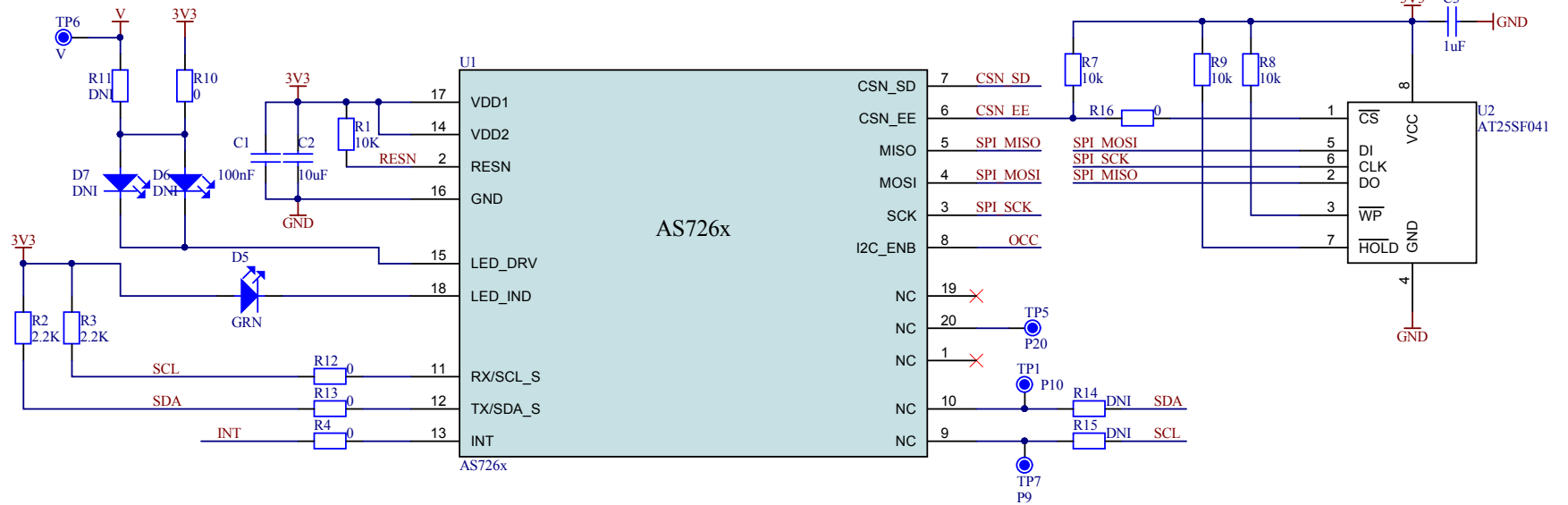
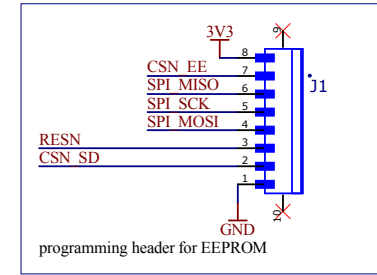
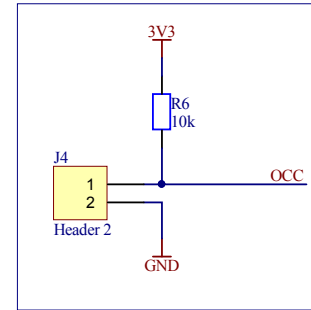
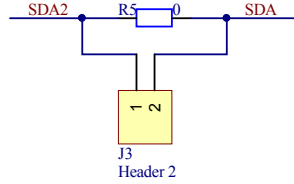
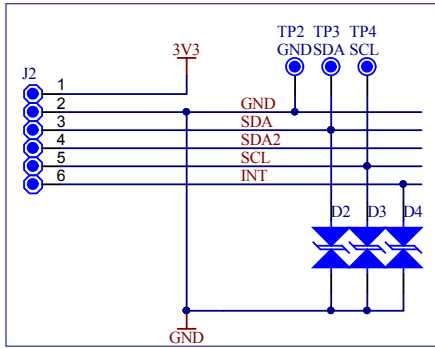
Revision History

- 1V0: I2C interface with 6-pin connector
- 1V1: Added J3/J4 to support UART mode

PCB Stackup

Board Layer Stack





Size	Project Title	Revision
A4	AS726x i-SPI	.1V1
Date 12.08.2016		
Originator RG		Sheet 3 of 3