

Vital Signs Module

www.ams.com/Biosensors



AS7026 – Smart Health & Fitness solution

- Multiple vital signs sensor for wearables and smart health: HRM, HRV, ECG & BP
- Accurate, cuffless blood pressure measurement
- Enhanced optics for improved PPG signal
- Highly integrated module: 3 LEDs, integrated lenses and 5 photodiodes
- 1-stop shop combining Hardware and Algorithm
- Small size solution 2.75mm x 6.2mm

Sensing
is life.

General Description

The operation of the AS7026 is based on photoplethysmography (PPG) and electrocardiogram (ECG). PPG is the most used HRM method which measures the pulse rate by sampling light modulated by the blood vessels, which expand and contract as blood pulses through them. ECG is the reference for any measurement of the bio potential generated by the heart.

The AS7026 is supported by algorithms converting the PPG and ECG readings into digital HRM, HRV and Continuous Blood Pressure values. The cuff-less Blood Pressure Measurement has been optimized to fulfill the IEEE Std 1708-2014.

The module includes the LEDs, photo-sensor, analog front-end (AFE) and sequencer as well as application software. In addition to HRM/HRV and Blood Pressure, the module also enables skin temperature and skin resistivity measurements by providing interfaces to external sensors.

The AS7026's low-power design and small form factor is particularly well suited to application in fitness bands, smart watches, sports watches and smart patches, in which board space is limited and in which users look for extended, multi-day intervals between battery recharges.

Features

- Single module integrated solution
- 5 Photo Diodes (4 for PPG, 1 for Prox), 3 LEDs (2 green, 1 IR), Analog Front End
- Dimension 2.75mm x 6.2mm
- Low noise Optical Front End
- Synchronous demodulators
- Programmable sequencer & HP filter
- Low noise analog electrical front for ECG and additional measurements
- Algorithms for HRM, motion compensation, blood pressure

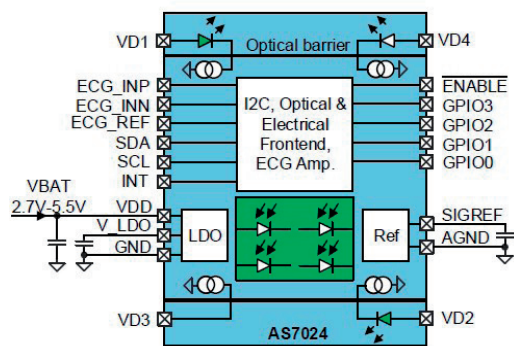
Benefits

- Allows small size application e.g. wearable and mobile
- Reliable PPG and HRM measurement
- Works reliably with ambient light
- Off load processor ensuring long operating time
- Additional information e.g. ECG, Blood Pressure, Temperature
- 1-stop shop combining Hardware and Algorithm allows quick time to market

Applications

- Wearables
- Smart health
- Smart patches
- Smartphones
- Automotive
- Health & Wellness

Block Diagram



Spectral Responsivity

