



**Application Note**

# AS393x

## Non-univocal Pattern Detection

## Content Guide

1	General Description .....	3
2	AS393X: Wake-up Protocol .....	3
3	AS393X: Non-univocal Pattern Detection .....	3
3.1	Example .....	3
4	AS393X: Proposed Solution .....	5
5	AS393X: Separation between Pattern and Data .....	5
6	Contact Information.....	7
7	Copyrights & Disclaimer.....	8
8	Revision Information .....	9

## 1 General Description

The AS393X LF-Wake-up receiver Product Family has an embedded correlator that compares the received data stream to the stored data pattern and issues a wake-up interrupt on the pin WAKE in case of positive correlation.

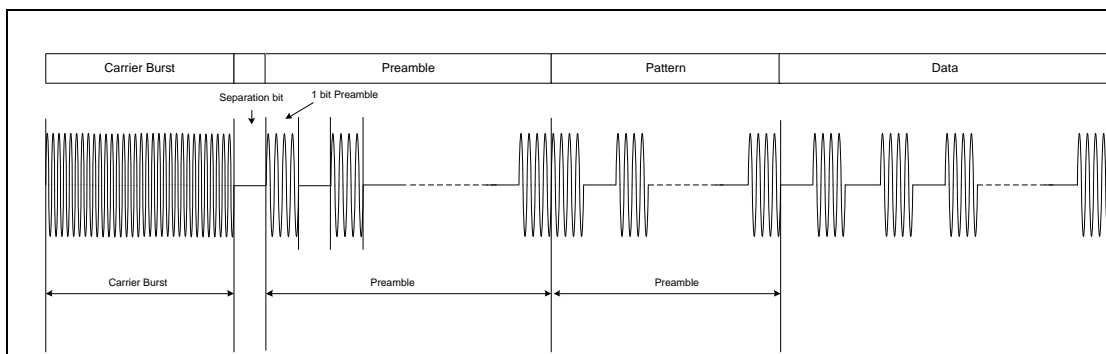
Due to the fact that the AS393X products cannot distinguish between the preamble and the pattern, multiple different received patterns can result in the AS393X issuing a wake-up interrupt even though the AS393X is programmed to detect just one wakeup pattern.

This document explains this issue and proposes a change in the protocol that solves this problem.

## 2 AS393X: Wake-up Protocol

The AS393X wake-up protocol consists of a carrier burst, a separation bit, a preamble and a wake-up pattern, as shown in Figure 1.

**Figure 1: AS393X Wake-up Protocol**



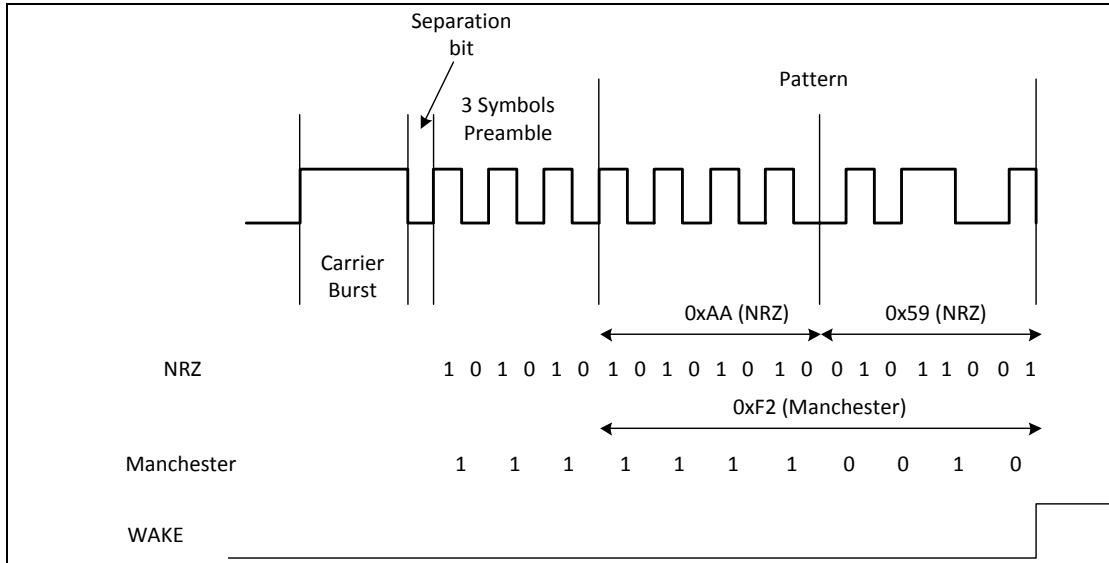
## 3 AS393X: Non-univocal Pattern Detection

As described in the introduction, in the Wake-up Protocol there is no separation between the preamble and the pattern; this means that the AS393X doesn't have any chance to distinguish between the preamble and the pattern. The consequence is that different wakeup patterns can trigger the AS393X to issue a wakeup interrupt despite it being programmed and intended to recognize just one wakeup pattern.

### 3.1 Example

Assuming that the transmitted pattern consists of a carrier burst, a separation bit, three symbols preamble and a (F2)hex Manchester pattern. If the AS393X pattern is programmed as (F2)hex Manchester (R5=0x59, R6=0xAA) the wakeup interrupt is set to high concurrently with the last bit of the received pattern, as shown in Figure 2.

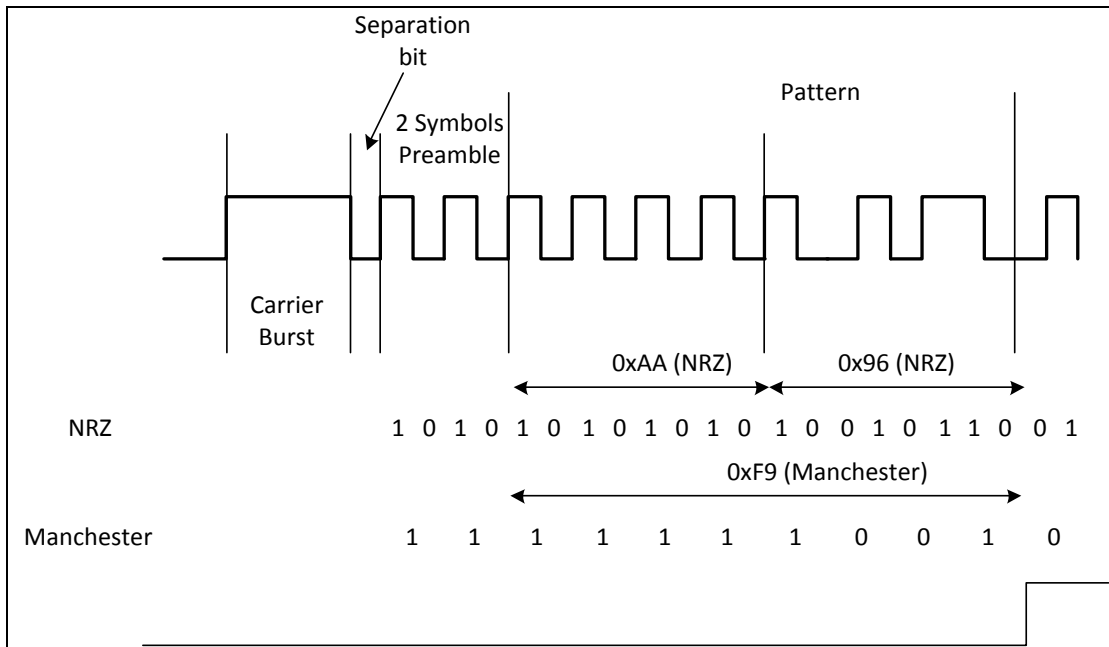
**Figure 2: Wake-up with pattern 0xF2**



In all figures a high signal represents the presence of the carrier (“1” NRZ), while a low signal represents a no-carrier (“0” NRZ).

It is possible to observe that the AS393X issues also a wake-up interrupt if the programmed pattern is 0xF9 (R6=0xAA, R5=0x96) in correspondence of the second last Manchester symbol, as shown in Figure 3. The reason can be explained with the fact that the AS393X cannot distinguish between the preamble and the pattern and, in this case, the last bit of the preamble is “swallowed” by the pattern.

**Figure 3: Wake-up with pattern 0xF9**

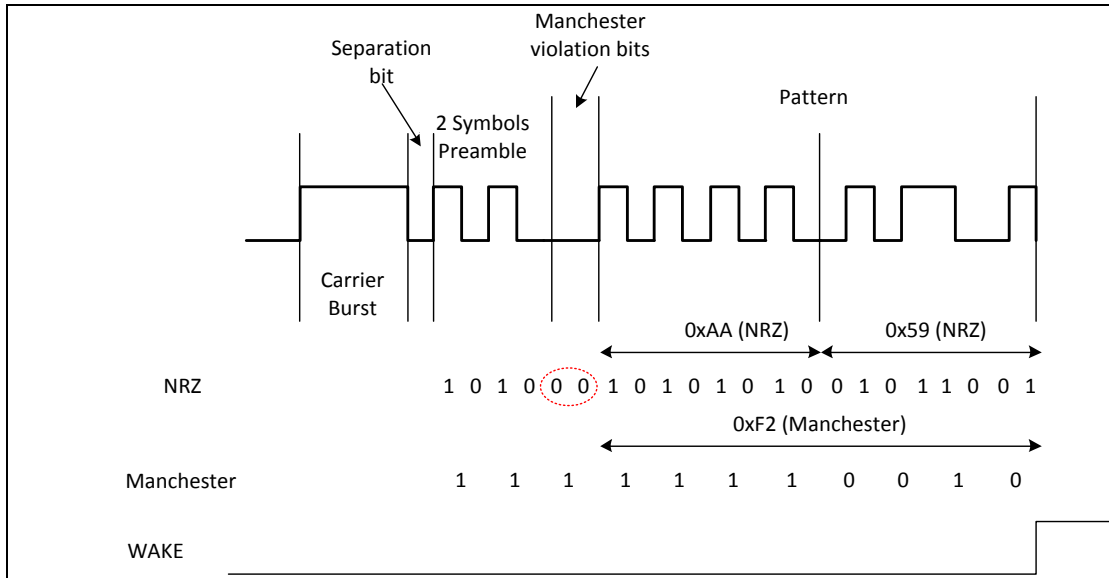


The same would happen if the AS393X is programmed with 0xFC (R6=0xAA, R5=0xA5); in this case the wake-up would be displayed on the third last bit.

#### 4 AS393X: Proposed Solution

It is possible to solve this non-univocal pattern detection introducing a Manchester violation between the end of the preamble and the first bit of the pattern, as shown in Figure 4. A Manchester violation can consist of a sequence of two zero bits consecutively. Two zeros are not allowed in the Manchester encoding technique, therefore represent a Manchester violation.

**Figure 4: Manchester violation in between preamble and pattern**

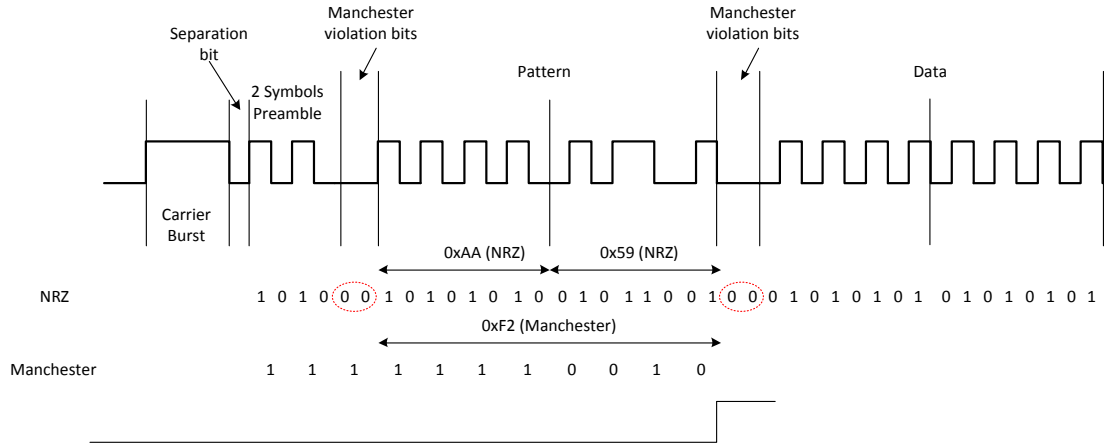


This violation can avoid that the bits right before the pattern are considered as part of the pattern. With this new transmitted pattern the AS393X will wake-up and issue an interrupt only and only if the programmed pattern is 0xF2 Manchester (R6=0xAA, R5=0x59).

#### 5 AS393X: Separation between Pattern and Data

Since there is also no separation bit between the pattern and the data, the correlator might take one symbol from the data and valuate it as part of the pattern. The consequence is again that with the same transmitted wakeup pattern the AS393X can wake up with more than one stored wake-up pattern. The proposed solution is to introduce another Manchester violation bit between the pattern and the data as shown in Figure 5.

Figure 5: Manchester violations before and after the pattern



This violation can avoid that the bits left after the pattern (parts of the data) are considered as part of the pattern. With this new transmitted pattern the AS393X will wake up and issue an interrupt only and only if the programmed pattern is 0xF2 Manchester (R6=0xAA, R5=0x59).

## 6 Contact Information

**Buy our products or get free samples online at:**

[www.ams.com/ICdirect](http://www.ams.com/ICdirect)

**Technical Support is available at:**

[www.ams.com/Technical-Support](http://www.ams.com/Technical-Support)

**Provide feedback about this document at:**

[www.ams.com/Document-Feedback](http://www.ams.com/Document-Feedback)

**For further information and requests, e-mail us at:**

[ams\\_sales@ams.com](mailto:ams_sales@ams.com)

**For sales offices, distributors and representatives, please visit:**

[www.ams.com/contact](http://www.ams.com/contact)

### **Headquarters**

ams AG

Tobelbader Strasse 30

8141 Premstaetten

Austria, Europe

Tel: +43 (0) 3136 500 0

Website: [www.ams.com](http://www.ams.com)

## 7 Copyrights & Disclaimer

Copyright ams AG, Tobelbader Strasse 30, 8141 Premstaetten, Austria-Europe. Trademarks Registered. All rights reserved. The material herein may not be reproduced, adapted, merged, translated, stored, or used without the prior written consent of the copyright owner.

Information in this document is believed to be accurate and reliable. However, ams AG does not give any representations or warranties, expressed or implied, as to the accuracy or completeness of such information and shall have no liability for the consequences of use of such information.

Applications that are described herein are for illustrative purposes only. ams AG makes no representation or warranty that such applications will be appropriate for the specified use without further testing or modification. ams AG takes no responsibility for the design, operation and testing of the applications and end-products as well as assistance with the applications or end-product designs when using ams AG products. ams AG is not liable for the suitability and fit of ams AG products in applications and end-products planned.

ams AG shall not be liable to recipient or any third party for any damages, including but not limited to personal injury, property damage, loss of profits, loss of use, interruption of business or indirect, special, incidental or consequential damages, of any kind, in connection with or arising out of the furnishing, performance or use of the technical data or applications described herein. No obligation or liability to recipient or any third party shall arise or flow out of ams AG rendering of technical or other services.

ams AG reserves the right to change information in this document at any time and without notice.



## 8 Revision Information

Changes from 1-00 (2012-Apr-12) to current revision 1-04 (2016-Nov-25)		Page
1-01	Update to ams corporate format (2014-Jan-16)	
1-02	Update to corporate format	1-7
1-03	Changed all AS3933 to AS393x	
1-04	Description changed	3

**Note:** Page numbers for the previous version may differ from page numbers in the current revision.  
Correction of typographical errors is not explicitly mentioned.