



**Application Note: AS1340-AN01-  
Evaluation Board Description**

# **AS1340**

**50V, Micropower, DC-DC Boost Converter**

**AN01-Evaluation Board Description**



**Table of Contents**

1 General Description ..... 3

2 Hardware Description..... 4

3 Board Schematics; Layout and BOM ..... 6

3.1 Schematic of AS1340 Evaluation Board ..... 7

3.2 Board Layout of AS1340 Evaluation Board ..... 8

3.3 BOM ..... 10

4 Ordering Information ..... 10

**Revision History**

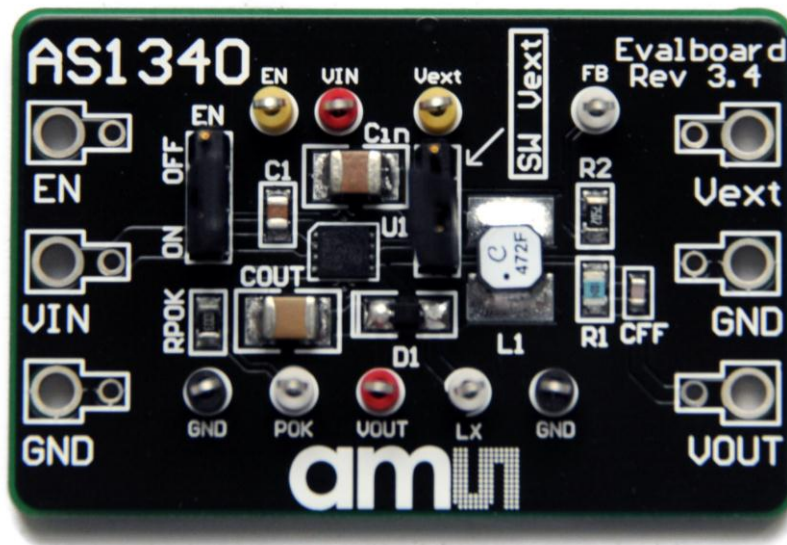
Revision	Date	Owner	Description
1.0			Initial release
1.1	06.28.2013	skre	Change into new design

# 1 General Description

This document describes the AS 1340 Evaluation Board.

The AS1340 boost converter contains a 1.4A internal switch in a tiny TDFN-8 3x3mm package. The device operates from a 2.7V to 5.5V supply, and can boost voltages up to 50V output.

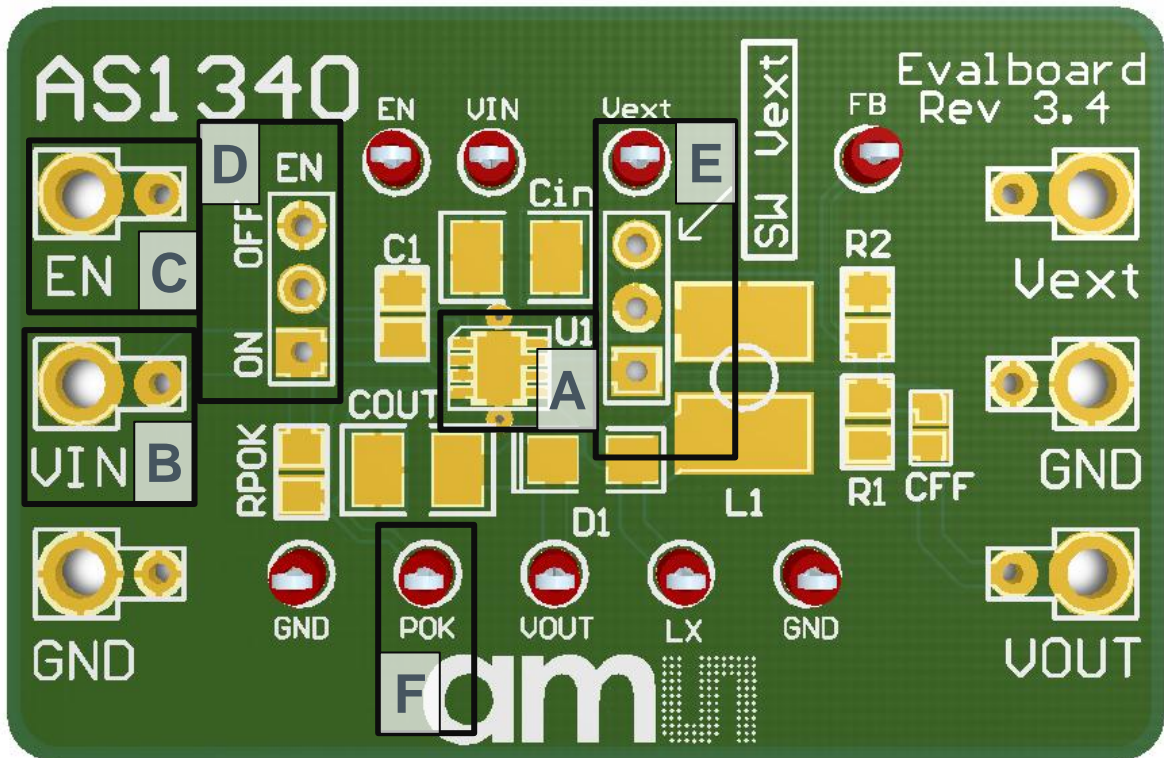
Figure 1: Kit Content



## 2 Hardware Description

The Evaluation Board has to be supplied via the pins VIN and GND in the range of 2.7V up to 5.5V. The jumper “EN” section D in the picture below has put to ON (downwards) in order to enable the chip. On the AS1340 Evaluation Board the output voltage is factory-set to 18V.

Figure 2: Evaluation Board Overview



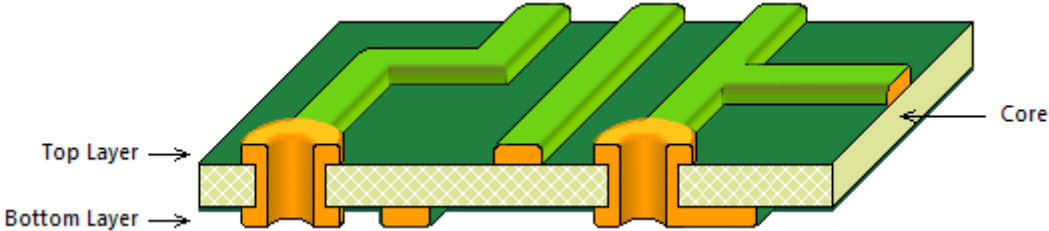
Label	Name	Designator	Description	Info
A	U1	U1	AS1340	AS1340 50V, Micropower, DC-DC Boost Converter
B	VIN	-	Supply	Voltage Range from 2.7V to 5.5V
C	EN	-	Enable	Active-High Enable Input . A logic low on this pin shuts down the device and reduces the supply current to 0.1µA. "EN" Jumper (J1) must be removed when using this input to enable/disable the chip.
D	EN	-	Enable ON/OFF	Enable/disable the chip
E	Vext	-	SW or external supply	Jumper setting to <u>Vext</u> (upwards), supply voltage of the chip can be split to allow higher supply voltage for the coil through Vext pin. Jumper setting to <u>SW</u> (downwards), supply voltage is only provided by VIN.
F	POK	-	Power-OK	0 = VOUT < 90% of VOUTNOM 1 = VOUT > 90% of VOUTNOM

For detailed information according electrical characteristics please refer to the AS1340 datasheet. The latest version of the datasheet can be found on our homepage, [www.ams.com](http://www.ams.com)

### 3 Board Schematics; Layout and BOM

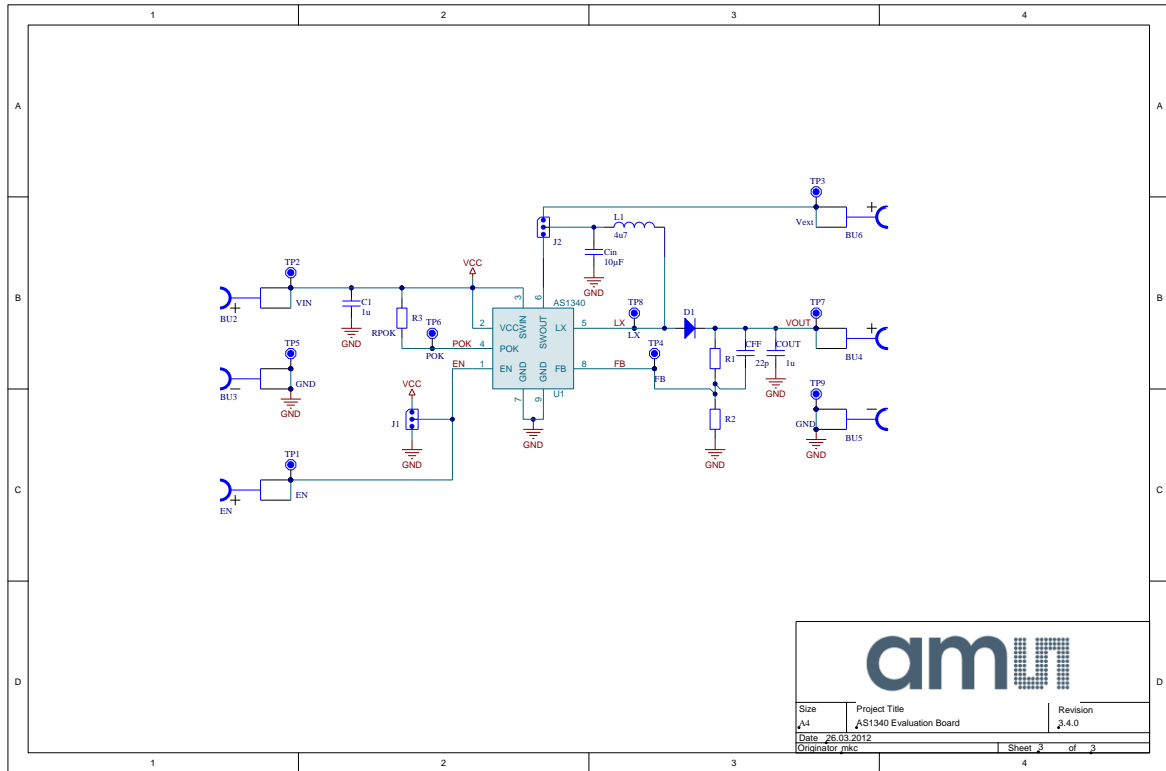
The AS1340 Evaluation Board is a 2-layer FR4 board.

Figure 3: AS1340 PCB Layer Stack up



### 3.1 Schematic of AS1340 Evaluation Board

Figure 4: Schematic



### 3.2 Board Layout of AS1340 Evaluation Board

Figure 5: Top Layer

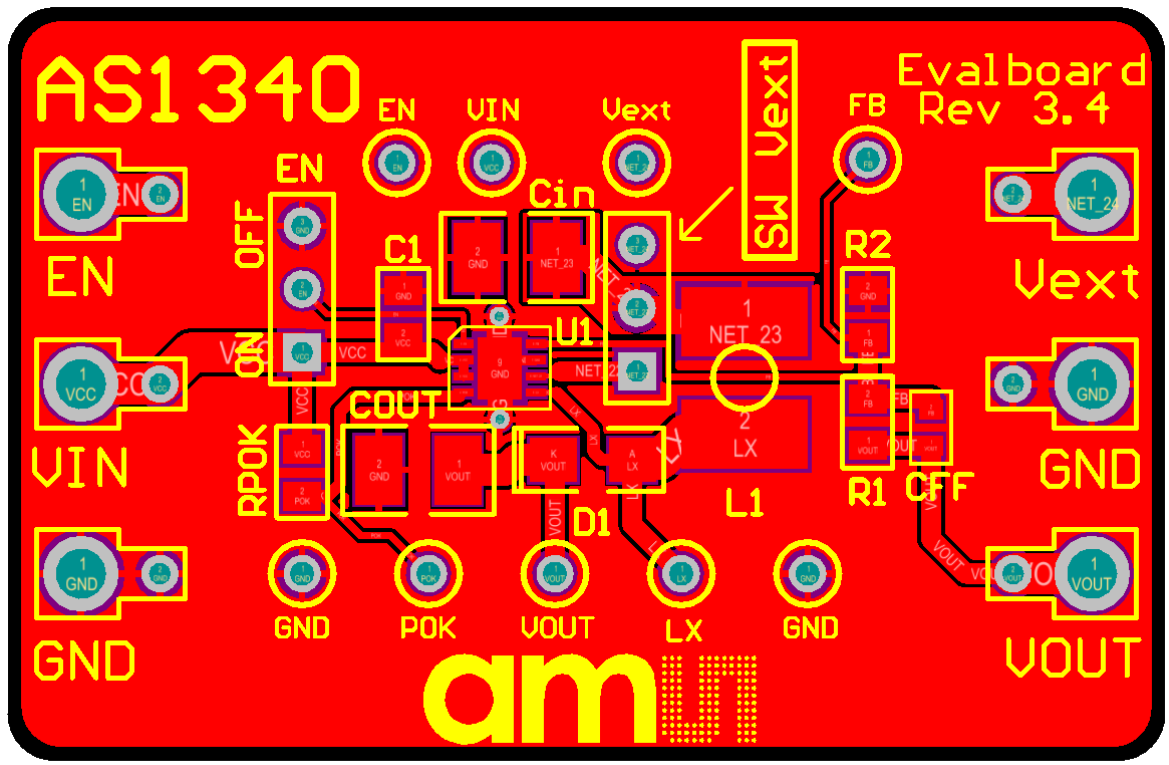
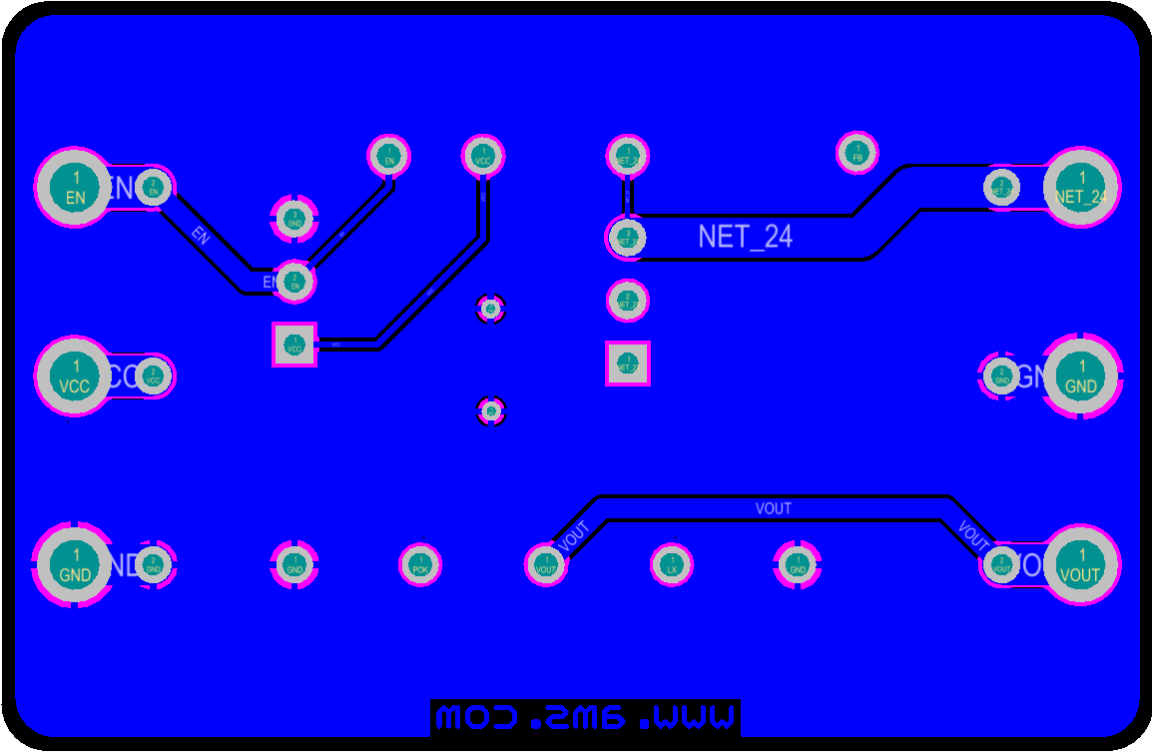




Figure 6: Bottom Layer



### 3.3 BOM

Figure 7: Bill of Material

Designator	Part Description	Comment
U1	AS1340	50V DCDC Boost converter
C1	1uF/16V/X7R	input capacitor: VCC
Cout	1uF/50V/X7R	output capacitor: Vout
Cin	10uF/16V/X7R	input capacitor: LX
CFF	22pF/50V/COG	
L1	4.7uH/1.9A/125mohm	DCDC boost coil (LPS4018-472M)
R1	1M	FB resistor
R2	75k	FB resistor
RPOK	100k	pull – up for POK
D1	40V/1A	PMEG4010BEA

## 4 Ordering Information

The AS1340 Evaluation Kit can be ordered via [www.ams.com](http://www.ams.com).

Figure 8: Ordering Information

Ordering Code	Description
AS1340A-TD-10_EK_ST	AS1340 Evaluation Board

### Copyright

Copyright © 1997-2012, ams AG, Tobelbader Strasse 30, 8141 Unterpremstaetten, Austria-Europe. Trademarks Registered ®. All rights reserved. The material herein may not be reproduced, adapted, merged, translated, stored, or used without the prior written consent of the copyright owner.

All products and companies mentioned are trademarks or registered trademarks of their respective companies.

### Disclaimer

Devices sold by ams AG are covered by the warranty and patent indemnification provisions appearing in its Term of Sale. ams AG makes no warranty, express, statutory, implied, or by description regarding the information set forth herein or regarding the freedom of the described devices from patent infringement. ams AG reserves the right to change specifications and prices at any time and without notice. Therefore, prior to designing this product into a system, it is necessary to check with ams AG for current information.

This product is intended for use in normal commercial applications. Applications requiring extended temperature range, unusual environmental requirements, or high reliability applications, such as military, medical life-support or life sustaining equipment are specifically not recommended without additional processing by ams AG for each application. For shipments of less than 100 parts the manufacturing flow might show deviations from the standard production flow, such as test flow or test location.

The information furnished here by ams AG is believed to be correct and accurate. However, ams AG shall not be liable to recipient or any third party for any damages, including but not limited to personal injury, property damage, loss of profits, loss of use, interruption of business or indirect, special, incidental or consequential damages, of any kind, in connection with or arising out of the furnishing, performance or use of the technical data herein. No obligation or liability to recipient or any third party shall arise or flow out of ams AG rendering of technical or other services.

## Contact Information

### Headquarters

ams AG  
Tobelbader Strasse 30  
8141 Unterpremstaetten  
Austria

T. +43 (0) 3136 500 0

For Sales Offices, Distributors and Representatives, please visit:

**<http://www.ams.com/contact>**